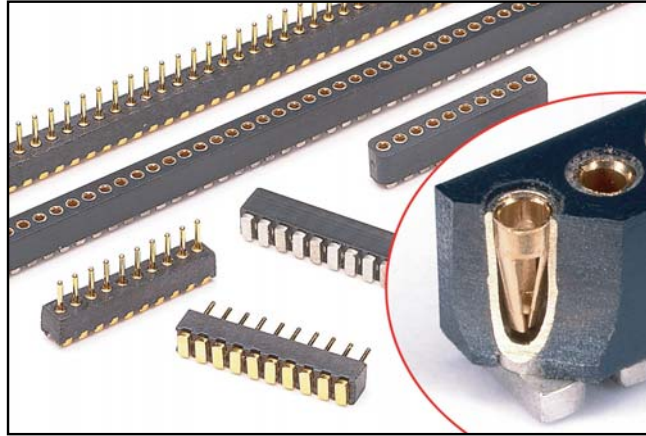


MAX solutions



.050" PITCH STRIP SOCKET/HEADER FOR SURFACE MOUNT

Mill-Max offers a miniature "self-standing" single row connector pair for surface mount applications.

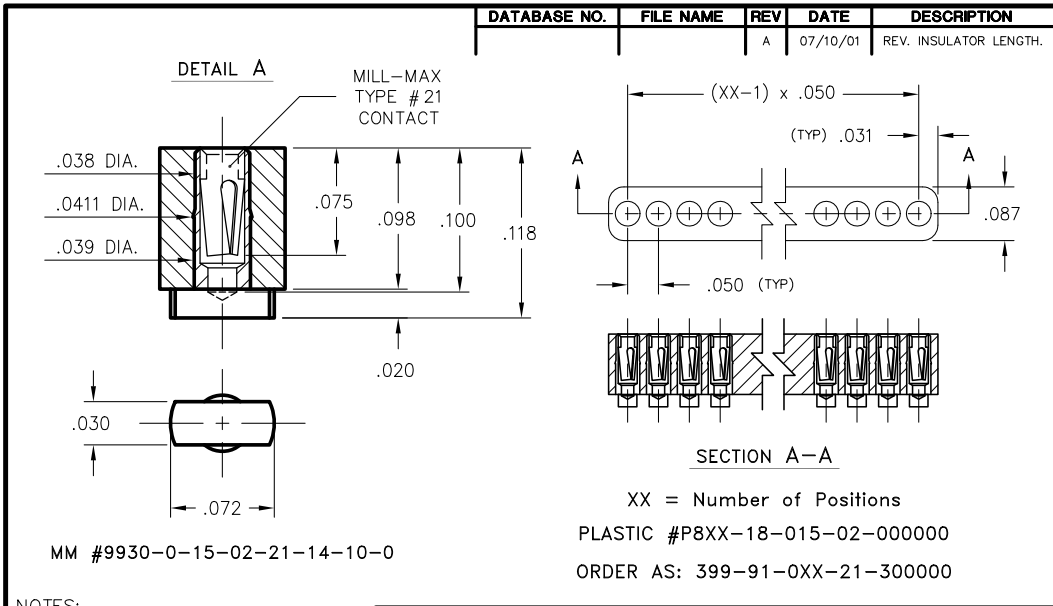
- "Self-standing" socket and pin header design minimizes the printed circuit board footprint, i.e.: pad lengths are less than half of those required by traditional "gull wing" connector designs.
- Height of mated pair is only .218" (5.54mm.)
- Available in lengths from 2 to 50 pins.
- High temp. thermoplastic insulators are suitable for all forms of reflow soldering including "lead-free."
- Reliable performance is assured through the use of Mill-Max's precision-machined pin and beryllium copper contact technology.
- Typical applications for this product would be as a board-to-board mezzanine connector in hand-held instruments. It could be used to simplify final assembly or to permit future upgrade of the instrument.

For more information, visit www.mill-max.com/PR504.

(7/09 -- 504)

Mill-Max Mfg. Corp. • 190 Pine Hollow Road, Oyster Bay, NY 11771
516-922-6000 • Fax: 516-922-9253 • www.mill-max.com

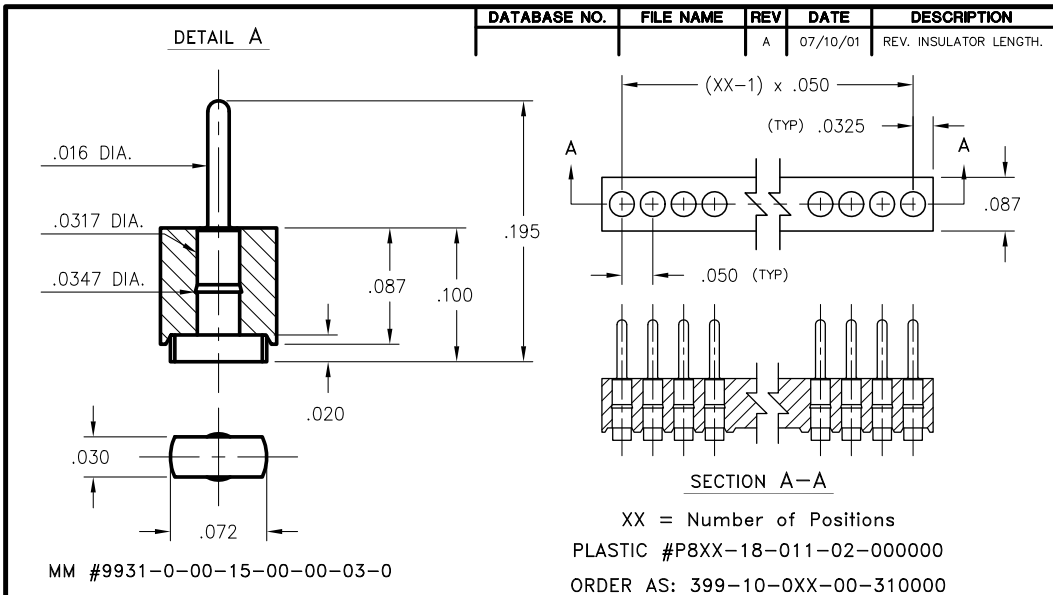




NOTES:

1. SHELL MATERIAL: BRASS ALLOY 360, 1/2 HARD.
2. SHELL FINISH: 100 μ" TIN/LEAD OVER 50 μ" NICKEL.
3. CONTACT MATERIAL: BERYLLIUM COPPER ALLOY 172, HEAT TREATED.
4. CONTACT FINISH: 10 μ" GOLD OVER 50 μ" NICKEL.
5. INSULATOR MATERIAL: HIGH TEMP. THERMOPLASTIC, RATED UL 94 V-0.

		MILL-MAX® MFG. CORP.					
P.O. BOX 300, 180 PINE HOLLOW RD., OYSTER BAY, N.Y. 11771-0300 TEL: (516) 922-8000, FAX: (516) 922-9253, WEB: WWW.MILL-MAX.COM							
ALL DIMENSIONS IN INCHES AND BEFORE PLATING	DIMENSIONS IN INCHES	SCALE N/S	DATE 12/1/00	DRAWN D.M.	CHECKED	ENG. APPROVAL	DATE
PIN TOLERANCES: LENGTHS ± .005, DIAMETERS ± .002, ANGLES ± 2	INSULATOR TOLERANCES: LENGTHS ± .006, THICKNESS ± .003, HOLE TO HOLE ± .001, NOT ACCUMULATIVE	TITLE .050" GRID SMT SOCKET STRIP					
CUSTOMER APPROVAL			DATE	PROPOSAL NUMBER PM-3410	REV A		



NOTES:

1. SHELL MATERIAL: BRASS ALLOY 360, 1/2 HARD.
2. SHELL FINISH: 10 μ" GOLD OVER 100 μ" NICKEL.
3. INSULATOR MATERIAL: HIGH TEMP. THERMOPLASTIC, RATED UL 94 V-0.

		MILL-MAX® MFG. CORP.					
P.O. BOX 300, 180 PINE HOLLOW RD., OYSTER BAY, N.Y. 11771-0300 TEL: (516) 922-8000, FAX: (516) 922-9253, WEB: WWW.MILL-MAX.COM							
ALL DIMENSIONS IN INCHES AND BEFORE PLATING	DIMENSIONS IN INCHES	SCALE N/S	DATE 12/1/00	DRAWN D.M.	CHECKED	ENG. APPROVAL	DATE
PIN TOLERANCES: LENGTHS ± .005, DIAMETERS ± .002, ANGLES ± 2	INSULATOR TOLERANCES: LENGTHS ± .006, THICKNESS ± .003, HOLE TO HOLE ± .001, NOT ACCUMULATIVE	TITLE .050" GRID SMT PIN STRIP					
CUSTOMER APPROVAL			DATE	PROPOSAL NUMBER PM-3411	REV A		