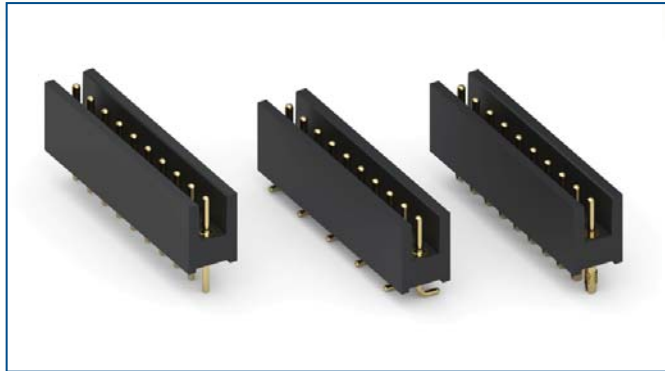


MAXIMUM SOLUTIONS

Mill-Max Adds Single Row Series to Shrouded Male Connector Line



Mill-Max is pleased to announce the addition of a single row option to our shrouded male pin connector line. Shrouded connectors are ideal for applications where a robust, secure connection is demanded, such as frequently mated interconnects and blind mate conditions. These single row connectors are offered in through-hole and surface mount termination styles and are available in up to 32 positions.

Through-hole:

Solder tail style: [Series 800-XX-OXX-10-052000](#) (XX=2 to 32 pins)

Solderless, compliant press-fit style: [Series 800-XX-OXX-61-051000](#) (XX=2 to 32 pins)

Surface mount:

Gull wing style: [Series 800-XX-OXX-30-052000](#) (XX=3 to 32 pins)

The shroud of the connector extends above the pins affording full protection during handling, assembly, connecting and disconnecting. Further, the shroud limits the amount of misalignment between connectors during mating and de-mating – acting as a guide for blind mate applications.

Both the through-hole and surface mount versions have .100" (2,54 mm) spacing pin-to-pin. The connector body is molded from Ryton, a high temperature, durable thermoplastic with excellent thermal stability, chemical resistance and a flammability rating of UL94 V-0. The pins are made of precision-machined brass. The engaging leads are .030" (0,76 mm) in diameter, .142" (3,61 mm) long and gold or matte tin-plated to provide a secure and reliable connection. These connectors are RoHS compliant and suitable for lead-free reflow processes.

The new [800-XX-OXX-10-052000](#), [800-XX-OXX-61-051000](#) & [800-XX-OXX-30-052000](#) shrouded male connectors mate with the following Mill-Max sockets, all of which are rated at 4.5 amps per contact:

Through-hole, straight solder tail: [801-XX-OXX-10-002000](#), [801-XX-OXX-10-001000](#)

Through-hole, right angle solder tail: [801-XX-OXX-20-001000](#)

Through-hole, compliant press-fit: [801-XX-OXX-61-001000](#), [801-XX-OXX-62-001000](#)

Surface mount, gull wing; [801-XX-OXX-30-001000](#)

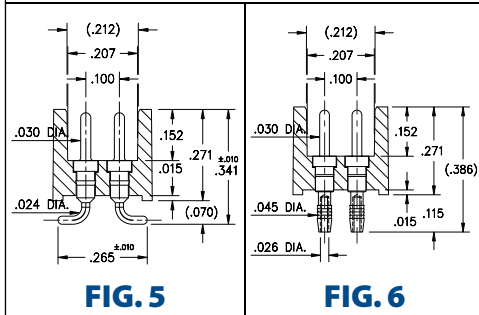
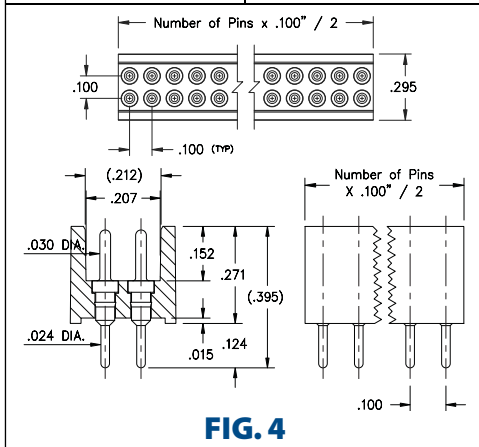
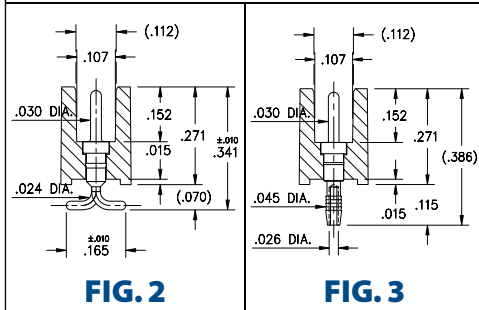
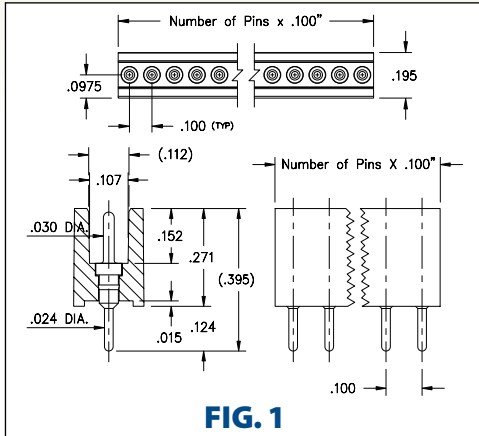
3D connector models are available upon request for product engineering development. Contact Mill-Max Technical Services for custom design options.

For more information, please visit: www.mill-max.com/PR632.

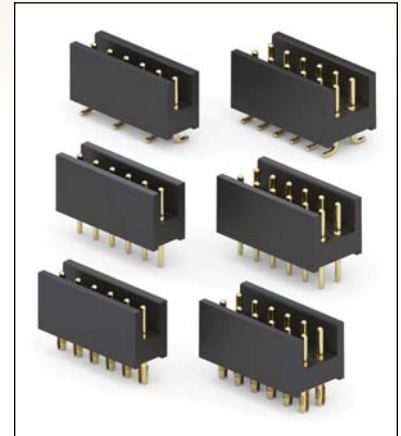
(6/14 -- PR632)

INTERCONNECTS




SERIES 800 & 802 • .100" GRID (.030" DIA. PINS), SHROUDED STRAIGHT, SURFACE MOUNT & SOLDERLESS PRESS-FIT • SINGLE AND DOUBLE ROW STRIPS



- Shrouded pin interconnects available with straight Series 800...10-052 and 802...10-052 or surface mount 800...30-052 and 802...30-052 use MM #5016 pins. See page 215 for details
- Shrouded pin interconnects with solderless press-fit Series 800...61-051 and 802...61-051 use MM #5607 pins. See page 213 for details. The unique compliant tail pins conform to .040" ± .003" finished hole without stressing inner layers. Patent No. 4,799,904
- Insulators are high temperature thermoplastic, suitable for all soldering operations



ORDERING INFORMATION

	Series 800...10-052	Straight Pin Header
FIG. 1	800-10-0_ -10-052000	Specify number of pins → 01-32
FIG. 2	Series 800...30-052	Surface Mount Pin Header
	800-10-0_ -30-052000	Specify number of pins → 03-32
FIG. 3	Series 800...61-051	Compliant Tail Pin Header
	800-10-0_ -61-051000	Specify number of pins → 01-32
FIG. 4	Series 802...10-052	Straight Pin Header
	802-10-0_ -10-052000	Specify number of pins → 04-64
FIG. 5	Series 802...30-052	Surface Mount Pin Header
	802-10-0_ -30-052000	Specify number of pins → 04-64
FIG. 6	Series 802...61-051	Compliant Tail Pin Header
	802-10-0_ -61-051000	Specify number of pins → 04-64
  		
SPECIFY PLATING CODE XX=		
Pin Plating	10 ◇	
	10 μ" Au	

