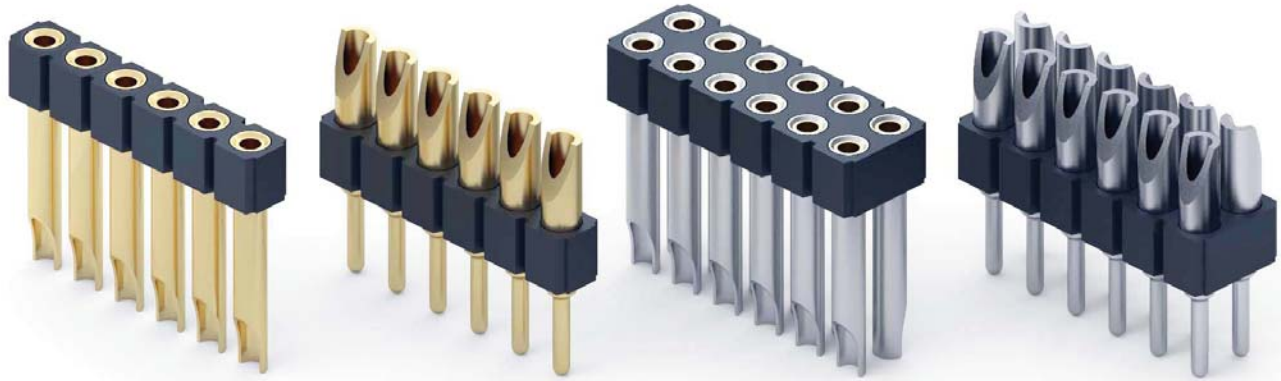


MAXIMUM SOLUTIONS

Soldercup Header and Socket Interconnects for Medium Duty Applications



Mill-Max is expanding its line of wire termination interconnects with new socket and header strips rated at 4.5 amps per contact. These connectors feature pins and receptacles with soldercups that can accept up to 20 AWG stranded & 18 AWG solid wires. They are a convenient and reliable method to make connections between discrete wires or cables and mating components such as PC boards or other cable assemblies.

The male header strips are:

[800-XX-OXX-10-007000](#), Single row

[802-XX-OXX-10-007000](#), Double row

The female socket strips are:

[801-XX-OXX-10-007000](#), Single row

[803-XX-OXX-10-007000](#), Double row

These soldercup connectors are ideal for wire termination applications where direct wire connections are required. They eliminate the difficulties of soldering wires directly to boards and the headers and sockets form mating pairs for easy configuration of interconnects. Uniform orientation of the soldercups makes it easy to solder your cable or discrete wires to the pins by eliminating the need to manipulate the wires or the connector to solder each wire. Once the wires are securely soldered in the cups you have a wired assembly; a perfect interface solution for discrete wire-to-board, cable-to-board or cable-to-cable applications.

The brass pins and receptacle shells are high speed machined to precision tolerances. Each receptacle is fitted with the Mill-Max #47 stamped beryllium copper contact which accepts .025" - .037" (.63mm - .94mm) diameter leads as well as .025" (.63mm) square leads. The male headers feature sturdy .030" (.76mm) diameter pluggable pin tails for mating with the corresponding solder cup socket. Standard plating options are tin or gold. All connectors in these series are on .100" (2.54mm) spacing and feature high temperature PCT insulators, suitable for RoHS soldering profiles. They are available from 2-64 positions single row and 4-64 positions double row.

This new line of connectors joins the existing 3 amp rated headers and sockets currently offered:

[380-XX-1XX-00-001000](#), single row header; [480-XX-2XX-00-001000](#), double row header;

[329-43-1XX-41-540000](#), single row socket and [429-43-2XX-41-540000](#), double row socket.

For more information, please visit: www.mill-max.com/PR628.

(6/14 -- PR628)

Mill-Max Mfg. Corp. • 190 Pine Hollow Road, Oyster Bay, NY 11771
516-922-6000 • Fax: 516-922-9253 • www.mill-max.com



INTERCONNECTS

SERIES 800, 801, 802, 803 • .100" GRID SOLDER CUP HEADERS AND SOCKETS • SINGLE AND DOUBLE ROW STRIPS

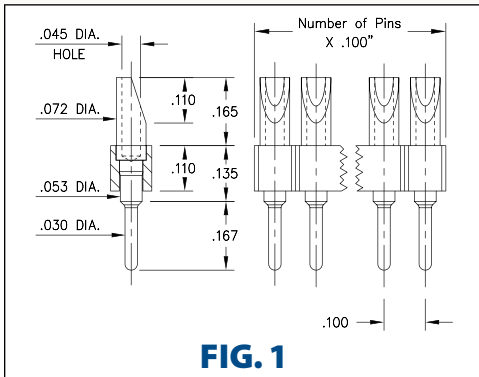


FIG. 1

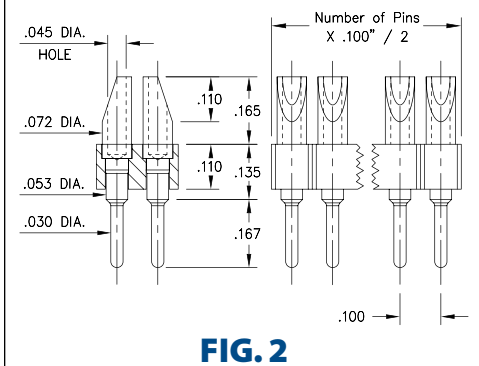


FIG. 2

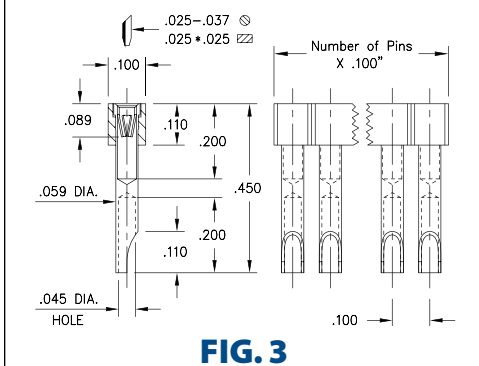


FIG. 3

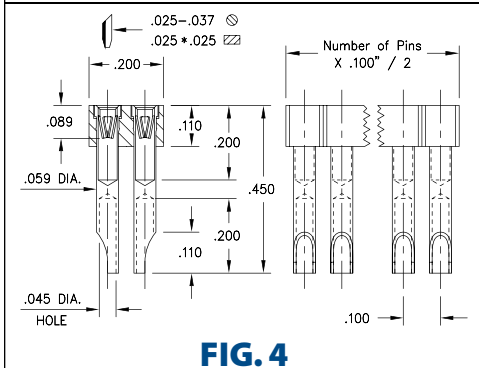
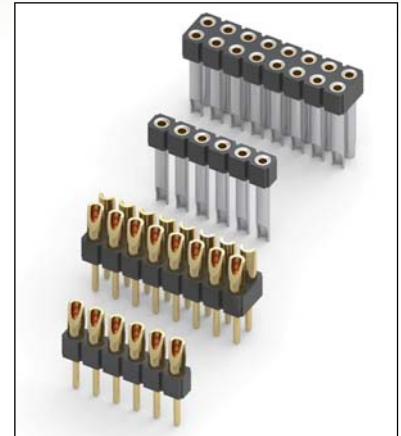


FIG. 4

- Series 800 and 802 use MM #1107 pins. See page 218 for details
- Series 801 and 803 use MM #1134 pin receptacles and accept pin diameters from .025"-.037" and .025" square pins. See page 177 for details
- Series 801 and 803 receptacles use Hi-Rel, 4-finger BeCu #47 contact rated at 4.5 amps. See page 256 for details
- Solder cups are pre-aligned and accept up to 20 AWG wire
- Insulators are high temperature thermoplastic, suitable for all soldering operations



ORDERING INFORMATION

| | |
|---|--|
| FIG. 1 | Series 800...007 Single Row Solder Cup / Solder Tail |
| | 800-XX-0 -10-007000 Specify number of pins ↑ 02-64 |
| FIG. 2 | Series 802...007 Double Row Solder Cup / Solder Tail |
| | 802-XX-0 -10-007000 Specify number of pins ↑ 02-64 |
| XX=Plating Code See Below For Electrical, Mechanical & Environmental Data, See page 264 | |
| SPECIFY PLATING CODE XX= | 10 40 |
| Pin Plating | 10 μ" Au 200 μ" Sn |

| | |
|---|---|
| FIG. 3 | Series 801...007 Single Row Solder Cup Sockets |
| | 801-13-0 -10-007000 Specify number of pins ↑ 02-64 |
| FIG. 4 | Series 803...007 Double Row Solder Cup Sockets |
| | 803-13-0 -10-007000 Specify number of pins ↑ 02-64 |
| XX=Plating Code See Below For Electrical, Mechanical & Environmental Data, See page 264 | |
| SPECIFY PLATING CODE XX= | 13 |
| Sleeve (Pin) | 10 μ" Au |
| Contact (Clip) | 30 μ" Au |

