

MAXIMUM SOLUTIONS

Mill-Max Introduces Triple Row Header Strips and Triple Row Solder Tail Socket Strips

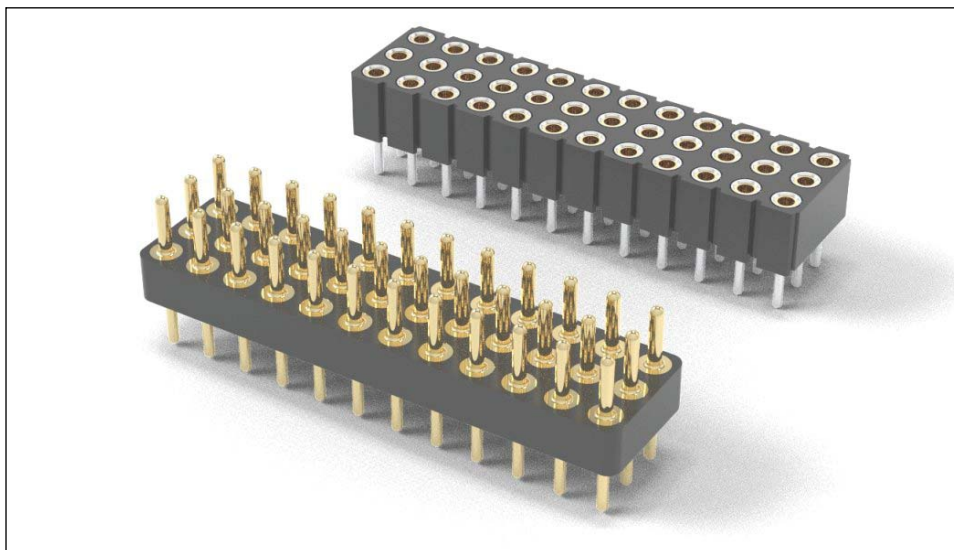
The new Mill-Max 804 and 805 series interconnects are ideal for high pin count I/O and board-to-board applications. The triple row pin field allows for signal connections to be more densely packaged. Also, placing and soldering one connector rather than three SIP sockets or a single and double row combination increases assembly efficiency and improves positional accuracy. This triple row package, on .100" (2.54 mm) grid, is available from 9 to 96 position configurations (ordered in increments of 3.)

The 804 & 805 series connectors are RoHS compliant featuring high temperature thermoplastic insulators compatible with lead free soldering temperature requirements. The receptacle shells of the 805 series socket pins are plated with 200u" pure matte tin. Hard gold plating, on both the 804 series header pins (10u") and the 805 series receptacle internal contacts (30u") provides optimum conductivity and effective wear resistance.

All Mill-Max pin headers and receptacle sockets feature high-speed screw-machined pins and receptacles manufactured to precision tolerances. Inside each 805 series receptacle is a precision stamped beryllium copper Mill-Max #47 contact clip with a pin acceptance range of .025-.037" (.64 mm - .94 mm) diameter or a .025" (.64 mm) square post and a current rating of 4.5 amps.

Selectively loaded pin configurations can be quoted to customer specification.

For more information, please visit www.mill-max.com/PR619.



(7/14 -- PR619)

INTERCONNECTS

SERIES 804 & 805 • .100" GRID (.030" DIA. PINS), HEADERS AND SOCKETS • TRIPLE ROW

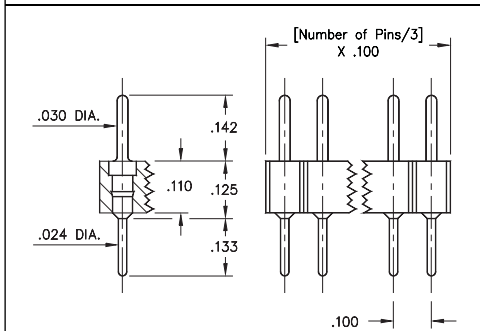
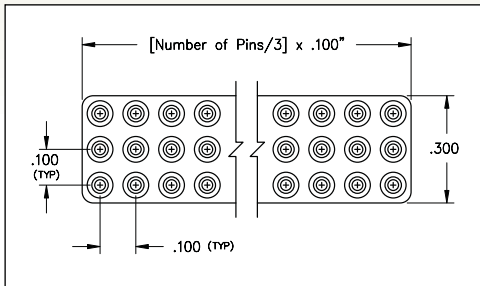


FIG. 1

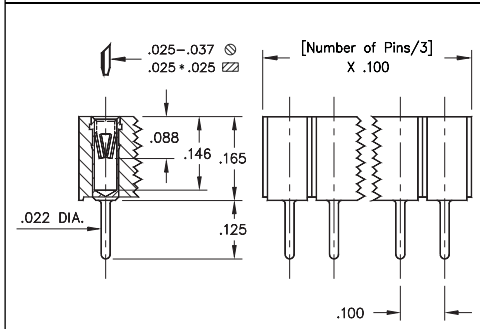
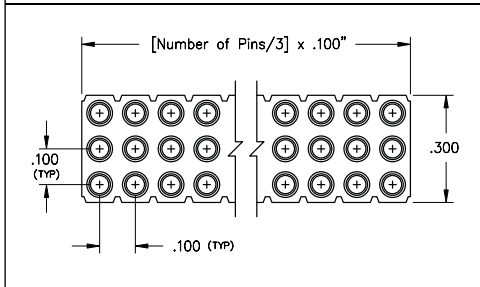
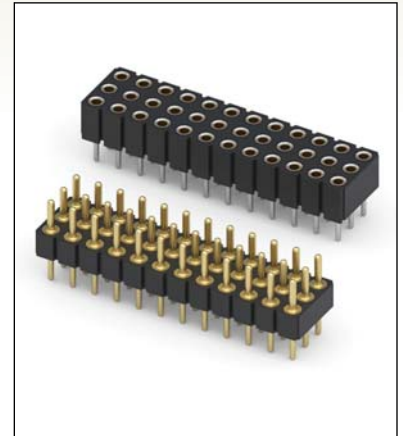


FIG. 2

- Series 804 triple row .100" grid headers uses MM #5016 pins. See page 215 for details
- Series 805 triple row .100" grid sockets uses MM #1303 pins. See page 180 for details
- Series 805 triple row .100" grid sockets uses Hi-Rel, 6-finger BeCu #47 contact rated at 4.5 amps. See page 256 for details
- Insulators are high temperature thermoplastic, suitable for all soldering operations



ORDERING INFORMATION

FIG. 1	Series 804...002		Straight Pin Header			
		804-10-0	-10-002000			
	Specify number of pins	↑	09-96			
		XX=Plating Code See Below	For Electrical, Mechanical & Environmental Data, See page 264			
	SPECIFY PLATING CODE XX=	10				
	Pin Plating	10 μ" Au				
FIG. 2	Series 805...012		Straight Pin Socket			
		805-43-0	-10-012000			
	Specify number of pins	↑	09-96			
		XX=Plating Code See Below	For Electrical, Mechanical & Environmental Data, See page 264			
	SPECIFY PLATING CODE XX=				43	
	Sleeve (Pin)				200 μ" Sn	
	Contact (Clip)				30 μ" Au	