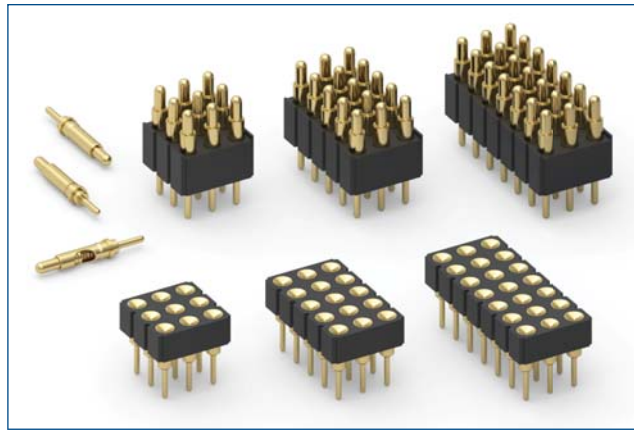


# MAXIMUM SOLUTIONS

## Mill-Max Expands its Triple Row Offerings to Include Spring-Pin Connectors and Mating Target Connectors



Mill-Max has expanded its triple row connector series' to include long stroke, through-hole mount spring-loaded pins and mating target connectors. These connectors are on .100" (2,54 mm) grid and available in 9 – 96 position configurations. Triple row connectors provide the designer the flexibility of a single connector solution in place of using separate single and double row connectors; this can be useful when the available space allows for additional rows but not a longer connector. The triple row connector also ensures more consistent pin to pin spacing and improved perpendicularity across the field of pins.

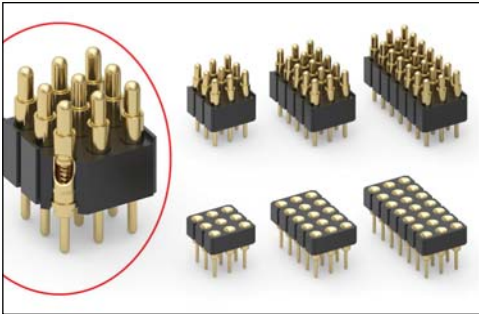
This [804 series spring-loaded header pins](#) provide .045" (1,14 mm) of stroke at working travel and .090" (2,29 mm) maximum stroke. Each contact has a current rating of 2 amps continuous, 3 amps peak. The precision-machined piston / base and gold-plated components assure a 1,000,000 cycle life durability. The 804 series is designed for manual placement into  $\varnothing .030 \pm .003$ " (.76 mm  $\pm$  .0762 mm) plated through-holes in the circuit board, prior to soldering. [The 805 series target connectors](#) provide an excellent gold-plated conductive mating surface for spring-loaded connectors and are designed for through hole solder mounting in a  $.025 \pm .003$ " (.63 mm  $\pm$  .0762 mm) hole. This series is offered with a concave face for making contact with our standard .042" (1,07 mm) dia. spring pin plungers.

Both the 804 and 805 series high temperature thermoplastic insulators are suitable for wave and reflow soldering processes.

For more information, please visit [www.mill-max.com/PR672](http://www.mill-max.com/PR672).

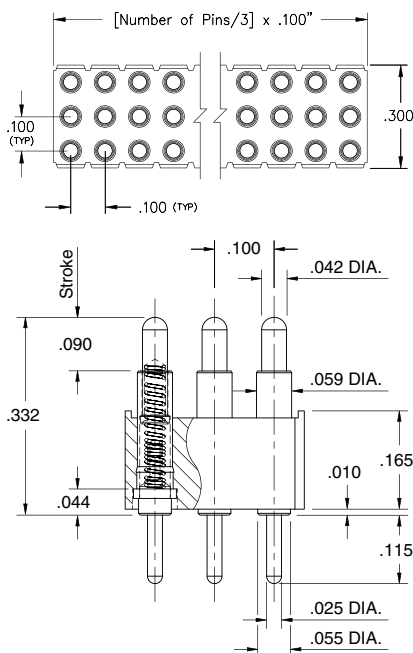
# SPRING-LOADED CONNECTORS

## SERIES 804 & 805 • .100" GRID THROUGH-HOLE MOUNT • LONG STROKE TRIPLE ROW STRIPS AND MATING TARGET CONNECTORS

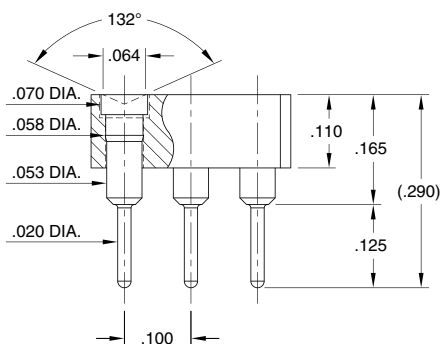


- Modular contacts for use on .100" grid, supplied in triple row contact strips
- Precision-machined piston / base and gold-plated components assure a 1,000,000 cycle life durability
- Spring pins have a .045" mid. stroke and a .090" max. stroke
- Low resistance, high current contacts are rated at 2 amps continuous, 3 amps peak
- 804 & 805 series High temperature thermoplastic insulators are suitable for wave and reflow processes
- 804 series contact strips are designed for manual placement into  $\varnothing .030 \pm .003$ " plated through-holes in the circuit board prior to hand, wave or reflow soldering
- 805 series Target Connectors provide an excellent gold-plated conductive mating surface for spring loaded connectors. This series is offered with a concave face for making contact with our standard .042" dia. spring pin plungers

### TRIPLE ROW Series 804



### TRIPLE ROW Series 805



## ORDERING INFORMATION

### Triple Row Series 804

804-22-0XX-10-004101

Specify number of contacts 09-96

### Triple Row Mating Target Series 805

805-10-0XX-00-006000

Specify number of contacts 09-96

### Technical Specifications for 804 Series

#### Materials:

Contact piston & base: Machined copper alloy plated 20 $\mu$ " gold over 100 $\mu$ " nickel  
 Spring: Beryllium copper-plated 10 $\mu$ " gold  
 Insulator: High temperature thermoplastic, rated UL94 V-0

#### Mechanical:

Spring force @ initial height: 25 grams  
 Spring force @ mid stroke (.045"): 60 grams  
 Durability: 1,000,000 cycles

#### Electrical:

Voltage rating: 100Vrms/150Vdc  
 Current rating: 2A (continuous), 3A (peak) per contact  
 Contact resistance: 20m $\Omega$  max.  
 Insulation resistance: 10,000M $\Omega$  min.  
 Dielectric strength: 700Vrms min.  
 Capacitance: 1pF max.

RoHS-2  
2011/65/EU

