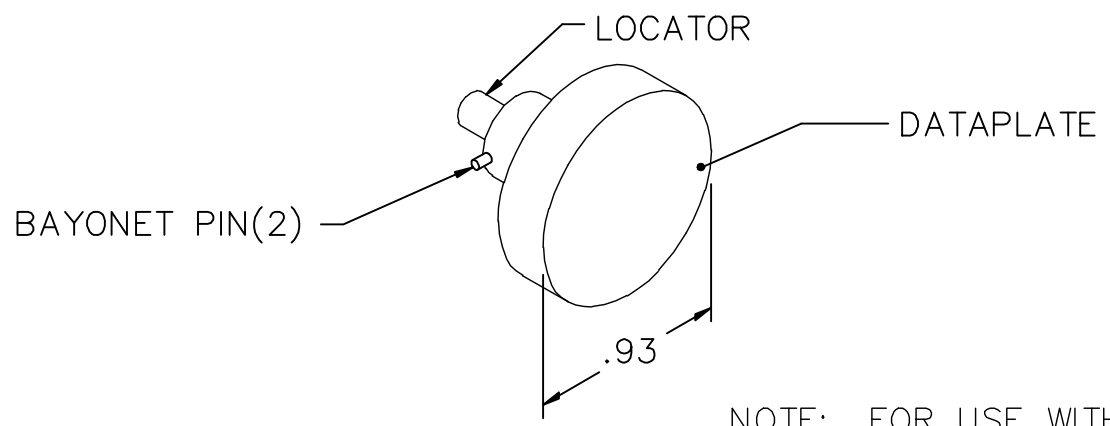
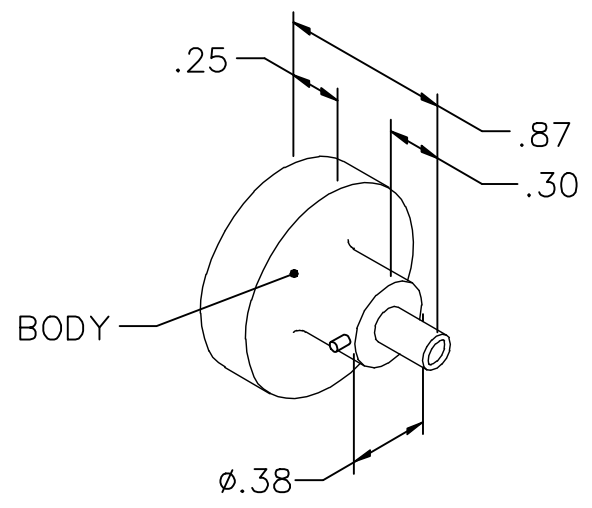


REVISIONS				
REV. SYM.	E.C.O. NUMBER	DESCRIPTION	BY DATE	APP'D DATE
1		ORIGINAL RELEASE	DUNG CAO 8-18-95	DD 8-18-95

**UNCONTROLLED DOCUMENT
WILL NOT BE UPDATED**



USE WITH CONTACTS					
WIRE	22	24	26	28	
-22 SEL.	3	2	1		
-22M SEL.		3	2	1	
-22D SEL.	3	2	1	1	
MS27493-22,-22M,-22D					
MS27494-22,-22M,-22D					
M24308/13-1					

NOTE: FOR USE WITH DANIELS MH860 CRIMP TOOL.

LOCATOR	
HOLE DIMENSIONS	ADDITIONAL FEATURES
$\phi.033$ ↓.69 MIN.	$\phi.078$ ↓.095

RESTRICTED & CONFIDENTIAL

CONFIDENTIAL PROPERTY OF DANIELS MANUFACTURING CORP. NOT TO BE DISCLOSED TO OTHERS, REPRODUCED OR USED FOR ANY OTHER PURPOSE, EXCEPT AS AUTHORIZED IN WRITING BY DANIELS MANUFACTURING. MUST BE RETURNED TO DANIELS MANUFACTURING CORP. ON COMPLETION OF ORDER OR OTHER PURPOSE FOR WHICH LENT.

DRN. DUNG CAO	DATE 8-18-95
CHK'D. DD	DATE 8-18-95
APP'D.	DATE
APP'D.	DATE
NOTE: THIS DRAWING IS AN OUTLINE DRAWING OF THE RESPECTIVE DMC PART NUMBER INDICATED. ACTUAL DMC PART NUMBER IS DRAWING NUMBER WITHOUT THE "-ENV" SUFFIX.	

DANIELS MANUFACTURING CORP.
ORLANDO, FLORIDA
CAGE 11851

TITLE ENVELOPE DRAWING POSITIONER (M22520/7-07)			
WHERE USED: MH860			
SIZE A	SCALE NTS	CAD P/N 86-6-ENV	SHEET 1 OF 1
POSTING		DWG. NO. 86-6-ENV	REV. 1

DO NOT SCALE DRAWING