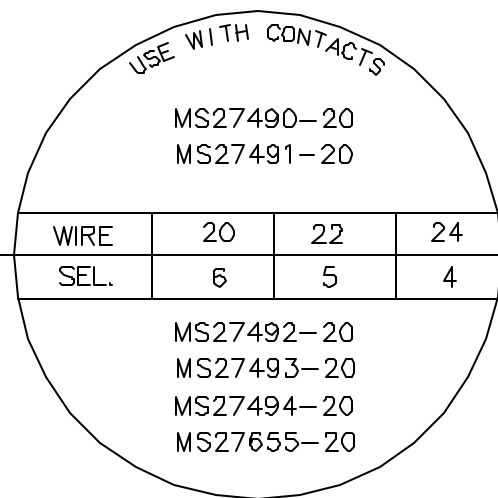
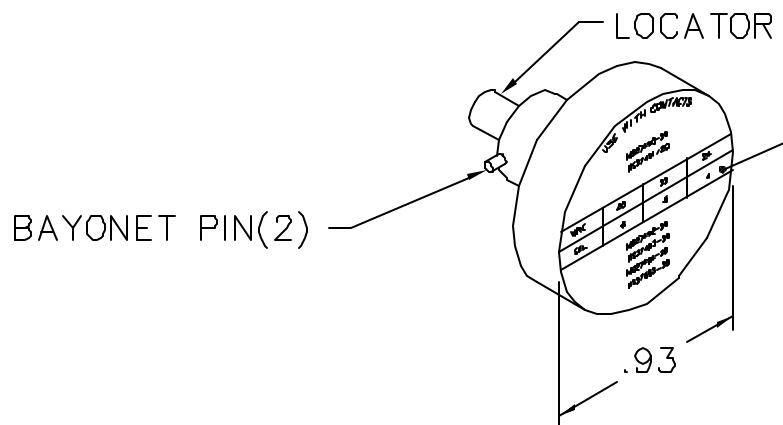
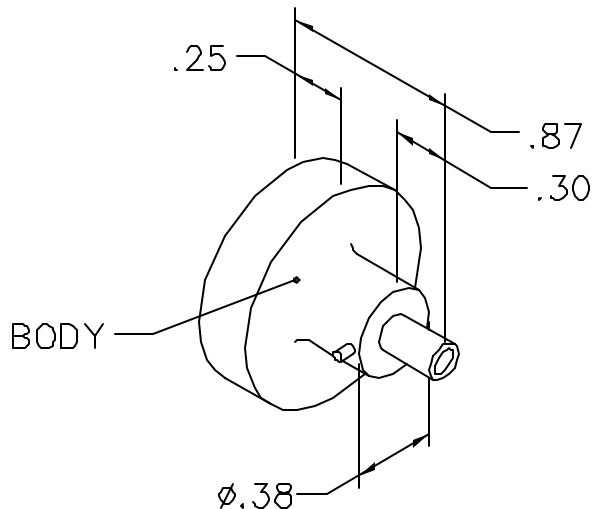


REVISIONS				
REV. SYM.	E.C.O. NUMBER	DESCRIPTION	BY DATE	APP'D DATE
1		ORIGINAL RELEASE	DUNG CAO 8-18-95	DD 8-18-95

**UNCONTROLLED DOCUMENT
WILL NOT BE UPDATED**



NOTE: FOR USE WITH DANIELS MH860 CRIMP TOOL.

LOCATOR	
HOLE DIMENSIONS	ADDITIONAL FEATURES
ϕ .081 ∇ .69 MIN.	\sqcap ϕ .098 ∇ .065

RESTRICTED & CONFIDENTIAL

CONFIDENTIAL PROPERTY OF DANIELS MANUFACTURING CORP. NOT TO BE DISCLOSED TO OTHERS, REPRODUCED OR USED FOR ANY OTHER PURPOSE, EXCEPT AS AUTHORIZED IN WRITING BY DANIELS MANUFACTURING. MUST BE RETURNED TO DANIELS MANUFACTURING CORP. ON COMPLETION OF ORDER OR OTHER PURPOSE FOR WHICH LENT.

DO NOT SCALE DRAWING

DRN. DUNG CAO	DATE 8-18-95
CHK'D. DD	DATE 8-18-95
APP'D.	DATE
APP'D.	DATE

DANIELS MANUFACTURING CORP.
ORLANDO, FLORIDA
GAGE 11851

TITLE
**ENVELOPE DRAWING
POSITIONER (M22520/7-08)**

WHERE USED: MH860

SIZE A	SCALE NONE	CAD P/N 86-7-ENV	SHEET 1	OF 1
POSTING	P/N 86-7-ENV		REV. 1	