



MILL-MAX MFG. CORP.
190 Pine Hollow Road
Oyster Bay, NY 11771 U.S.A

PRODUCT DISCONTINUATION NOTICE

PDN Number: 24-0430A

Date Issued: April 30, 2024

Series: #20 contact clip

Discontinued Part Numbers: All parts using the #20 contact clip; full list can be found below.

Reason for Discontinuation: The #20 contact clip has been replaced with the #32 contact clip. More information on this component and the recommended replacement part numbers can be found below.

Effective Date: Immediate

Last Time Buy Date: Available until stock is depleted.

Contact Information: Contact Mill-Max sales at sales@mill-max.com for any questions about this notice.

Disclaimer: Review this notice in its entirety and ensure that this change is not detrimental to your application. While Mill-Max takes precautions to make Product Changes as faultless as possible, only you, the Customer, know your specific application. Review this change with respect to your application. Contact us if you have questions or concerns. Request samples (if available). Mill-Max will make every attempt to support you through this change.



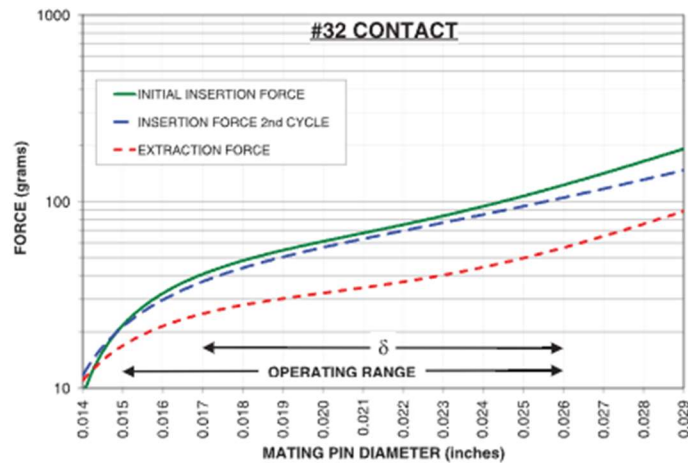
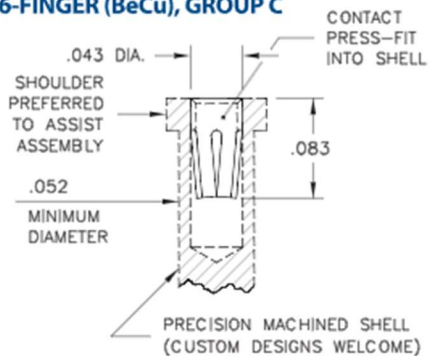
MILL-MAX MFG. CORP.
 190 Pine Hollow Road
 Oyster Bay, NY 11771 U.S.A

PRODUCT DISCONTINUATION NOTICE

Discontinued Part Number	Replacement Part Number
0555-0-15-01- 20 -02-10-0	0555-0-15-01- 32 -02-10-0
0555-0-15-01- 20 -27-10-0	0555-0-15-01- 32 -27-10-0
0555-0-15-15- 20 -14-10-0	0555-0-15-15- 32 -14-10-0
0555-0-15-15- 20 -27-10-0	0555-0-15-15- 32 -27-10-0
0555-0-15-80- 20 -27-10-0	0555-0-15-80- 32 -27-10-0
0660-0-15-01- 20 -02-10-0	0660-0-15-01- 32 -02-10-0
0677-0-15-01- 20 -14-10-0	0677-0-15-01- 32 -14-10-0

#32 CONTACT

FOR .015"-.026" DIAMETER PINS ($\delta = .009$)
 6-FINGER (BeCu), GROUP C



The insertion / extraction force characteristics above were derived using a 30 microinch gold-plated contact and polished steel gauge pins having a bullet-shaped tip. The curves represent typical average values; they are best used to compare the differences between similar size contacts and to guide you in selecting one that is suitable for your application. Your results may vary, so for your specification, we encourage you to obtain complimentary samples for your evaluation.

Pin Diameter Range .015"-.026" (0,381-0,660mm)

Material Beryllium Copper **Current Rating (amps)** 3.0

Fingers 6 **Compliance** .009" (0,229mm)

Length .083" (2,108mm) **Group Code** C

Figure 1: Technical details of the #32 contact clip, replacement for the #20 contact clip.

Disclaimer: Review this notice in its entirety and ensure that this change is not detrimental to your application. While Mill-Max takes precautions to make Product Changes as faultless as possible, only you, the Customer, know your specific application. Review this change with respect to your application. Contact us if you have questions or concerns. Request samples (if available). Mill-Max will make every attempt to support you through this change.