

SPRING-LOADED CONNECTORS

SERIES 856 • .050" GRID FLAT & CONCAVE FACE TARGET CONNECTORS FOR SPRING-LOADED ASSEMBLIES • SINGLE ROW STRIPS

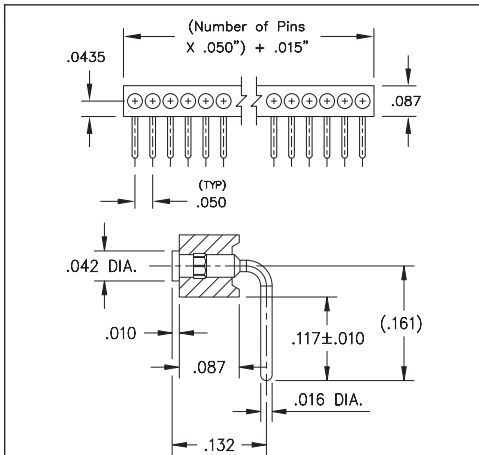


FIG. 1

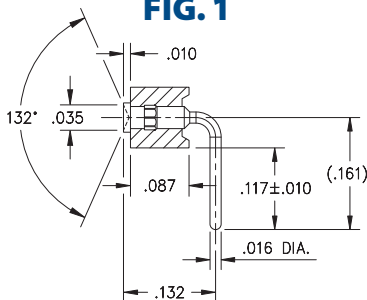


FIG. 2

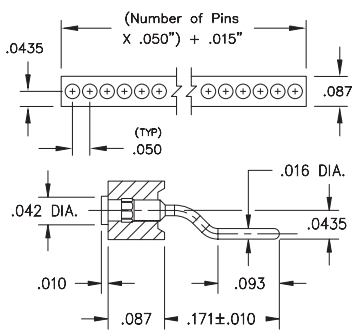


FIG. 3

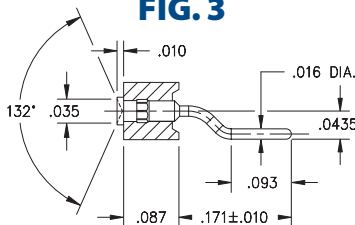
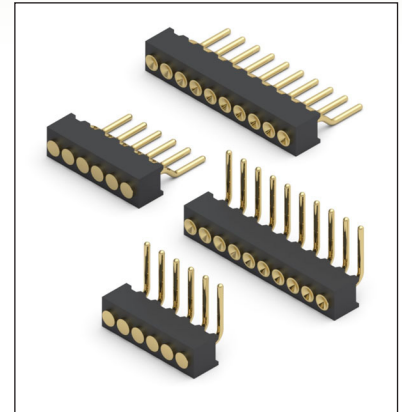




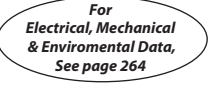

FIG. 4

Coplanarity .005". For Pin counts >20 positions, consult Technical Support.

- Series 856 Spring Target Connectors, supplied in single row strips
- Spring Target Connectors are offered with a flat or concave surface for making contact with our standard .019" dia. spring pin plungers. The target connectors provide an excellent gold-plated conductive path back to the board-mounted spring pin connector
- Target connectors use MM #1831-1 and #1931-1 pins. See page 223.2 for details
- Insulators are high temperature thermoplastic



ORDERING INFORMATION

	Series 856...20-001	Flat face / Right Angle
FIG. 1	856-10-0	-20-001000
	Specify number of pins	01-20
	Series 856...20-002	Concave face / Right Angle
FIG. 2	856-10-0	-20-002000
	Specify number of pins	01-20
	Series 856...40-001	Flat face / Surface Mount
FIG. 3	856-10-0	-40-001000
	Specify number of pins	01-20
	Series 856...40-002	Concave face / Surface Mount
FIG. 4	856-10-0	-40-002000
	Specify number of pins	01-20
  		
SPECIFY PLATING CODE XX=	10	
Pin Plating 	10 μ" Au	