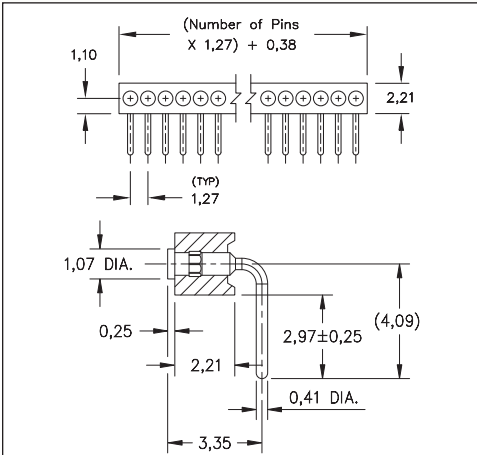
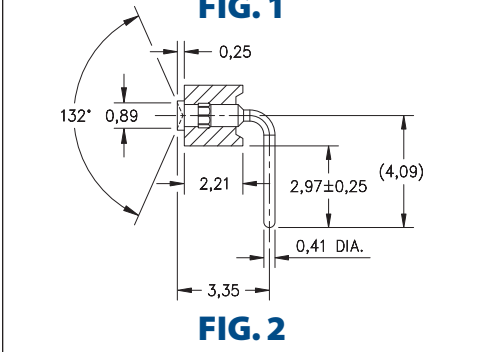


# SPRING-LOADED CONNECTORS

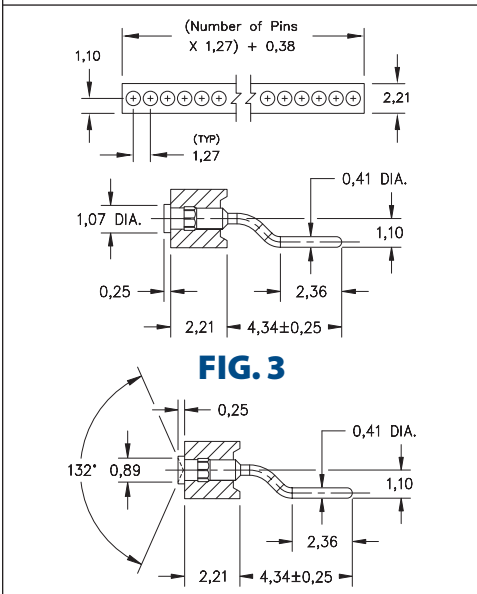
## SERIES 856 • 1,27 GRID FLAT & CONCAVE FACE TARGET CONNECTORS FOR SPRING-LOADED ASSEMBLIES • SINGLE ROW STRIPS



**FIG. 1**



**FIG. 2**

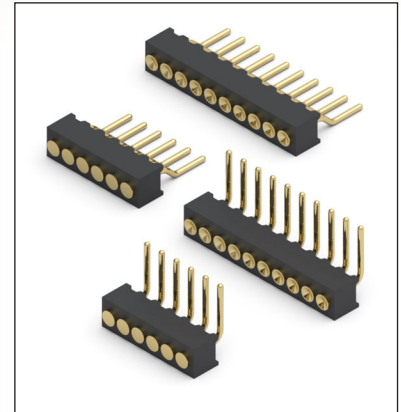


**FIG. 3**





Coplanarity 0,13. For Pin counts >20 positions, consult Technical Support.

**FIG. 4**

- Series 856 Spring Target Connectors, supplied in single row strips
- Spring Target Connectors are offered with a flat or concave surface for making contact with our standard 0,48 dia. spring pin plungers. The target connectors provide an excellent gold-plated conductive path back to the board-mounted spring pin connector
- Target connectors use MM #1831-1 and #1931-1 pins. See page 223.2 for details
- Insulators are high temperature thermoplastic



### ORDERING INFORMATION

	Series 856...20-001	Flat face / Right Angle
<b>FIG. 1</b>	856-10-0	-20-001000
	Specify number of pins	01-20
<b>FIG. 2</b>	Series 856...20-002	Concave face / Right Angle
	856-10-0	-20-002000
	Specify number of pins	01-20
<b>FIG. 3</b>	Series 856...40-001	Flat face / Surface Mount
	856-10-0	-40-001000
	Specify number of pins	01-20
<b>FIG. 4</b>	Series 856...40-002	Concave face / Surface Mount
	856-10-0	-40-002000
	Specify number of pins	01-20
  		
<b>SPECIFY PLATING CODE XX=</b>	10	
Pin Plating	 0,25µm Au	