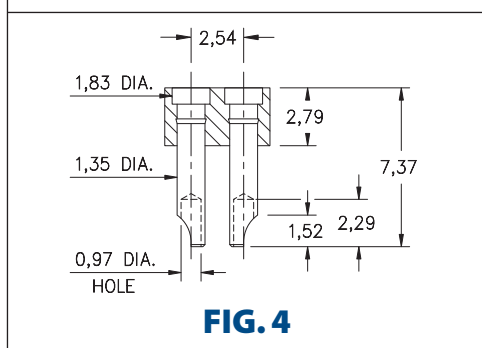
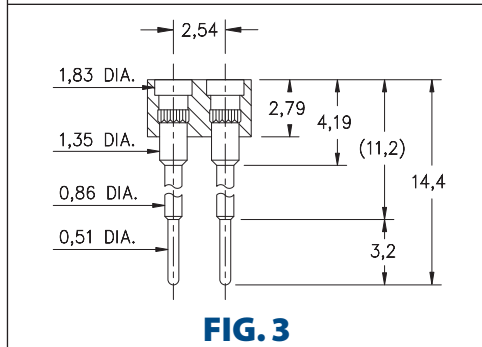
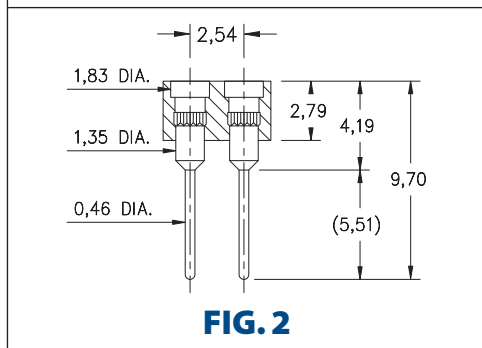
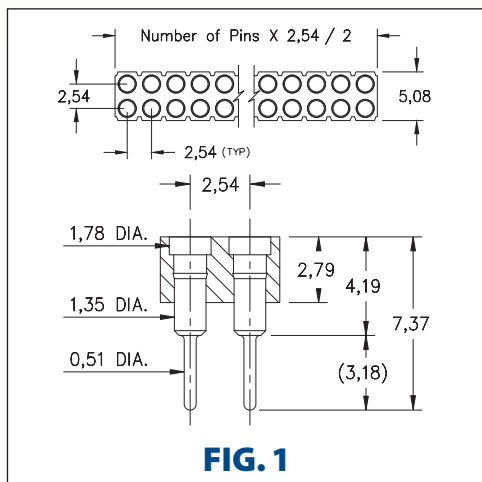
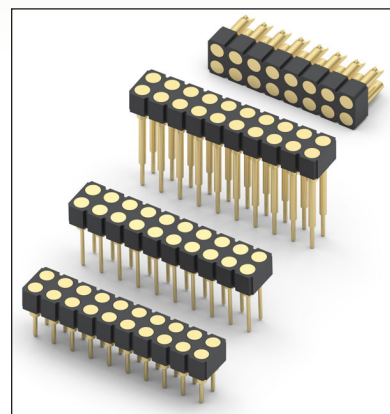


SPRING-LOADED CONNECTORS





SERIES 419, 430 • 2,54 GRID TARGET CONNECTORS FOR SPRING-LOADED ASSEMBLIES • DOUBLE ROW STRIPS



- Series 419 and 430 Spring Target Connectors, supplied in double row strips. Available in through-hole and wire termination configurations
- Target Connectors provide an excellent gold-plated conductive mating surface for spring loaded connectors. These series are offered with a flat face for making contact with our standard 1,07 dia. spring pin plungers
- Target connectors use MM #1938, #1940, #1942 and #3024 pins. See page 218 for details
- Insulators are high temperature thermoplastic



ORDERING INFORMATION

	Series 419...001	Standard Solder Tails
FIG. 1	419-10-2	-00-001000
	Specify number of pins	04-64
	Series 419...002	Long Solder Tails
FIG. 2	419-10-2	-00-002000
	Specify number of pins	04-64
	Series 419...005	Elevated with Solder Tails
FIG. 3	419-10-2	-00-005000
	Specify number of pins	04-64
	Series 430...240	Solder Cups
FIG. 4	430-10-2	-00-240000
	Specify number of pins	04-64
  		
SPECIFY PLATING CODE XX=	10	
Pin Plating 	0,25µm Au	