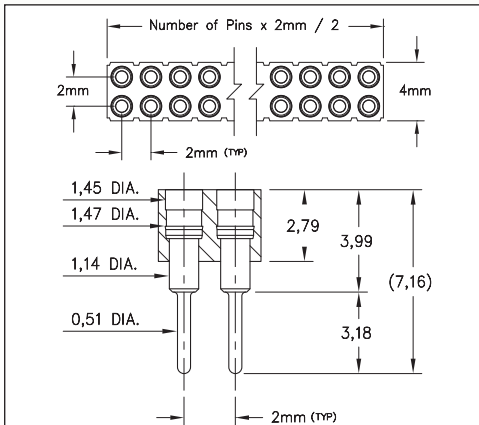
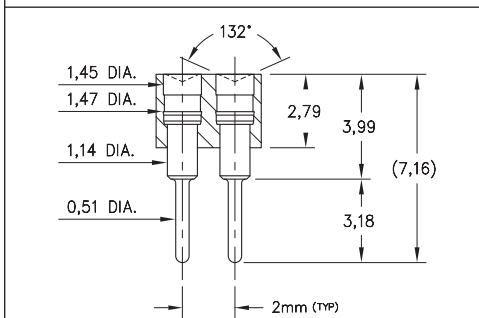


# SPRING-LOADED CONNECTORS

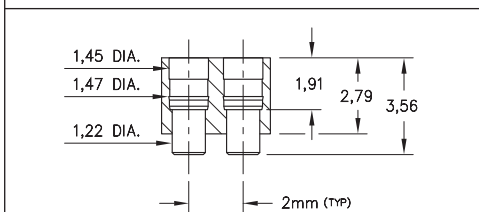
## SERIES 832 • 2mm GRID FLAT & CONCAVE FACE TARGET CONNECTORS FOR SPRING-LOADED ASSEMBLIES • DOUBLE ROW STRIPS



**FIG. 1**

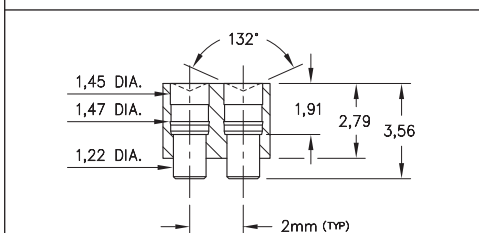


**FIG. 2**



Coplanarity 0,13. For Pin counts >20 positions, consult Technical Support.

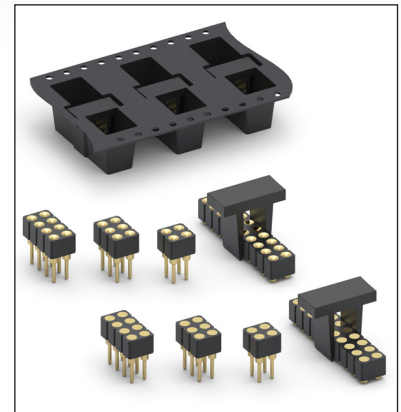
**FIG. 3**



Coplanarity 0,13. For Pin counts >20 positions, consult Technical Support.

**FIG. 4**

- Series 832 2mm Spring Target Connectors, supplied in double row strips
- Target connectors provide an excellent gold-plated conductive path back to the board-mounted spring pin connector. Available in both through-hole and SMT terminations with the choice of either flat or concave face contact surfaces. Concave face targets provide additional surface area for mating with our standard 0,81 diameter plungers
- Target connectors use MM #1949, #1950, #1951, and #1952 pins. See page 223.1 for details
- Insulators are high temperature thermoplastic



### ORDERING INFORMATION

<b>FIG. 1</b>	<b>Series 832...003</b> <b>Flat face / Solder Tails</b>
	832-10-0__-10-003000 Specify number of pins ↑ 04-20
<b>FIG. 2</b>	<b>Series 832...004</b> <b>Concave face / Solder Tails</b>
	832-10-0__-10-004000 Specify number of pins ↑ 04-20
<b>FIG. 3</b>	<b>Series 832...30-003</b> <b>Flat face / Surface Mount</b>
	832-10-0__-30-003XXX Specify number or pins ↑ 04-20 Tube packaged = 000 Tape & reel packaged = 191 400 parts per 330mm reel
<b>FIG. 4</b>	<b>Series 832...30-004</b> <b>Concave face / Surface Mount</b>
	832-10-0__-30-004XXX Specify number or pins ↑ 04-20 Tube packaged = 000 Tape & reel packaged = 191 400 parts per 330mm reel
<div style="display: flex; justify-content: space-around; align-items: center;"> <div style="border: 1px solid black; padding: 5px; background-color: #90EE90;">RoHS-2 2011/65/EU</div> <div style="border: 1px solid black; border-radius: 50%; padding: 5px;">XX=Plating Code See Below</div> <div style="border: 1px solid black; border-radius: 50%; padding: 5px;">For Electrical, Mechanical &amp; Enviromental Data, See page 264</div> </div>	
<b>SPECIFY PLATING CODE XX=</b>	10 ◆
Pin Plating	0,25µm Au

