

INTERCONNECTS

SERIES 860 & 861 • 1mm GRID HEADERS AND SOCKETS • SINGLE ROW STRIPS

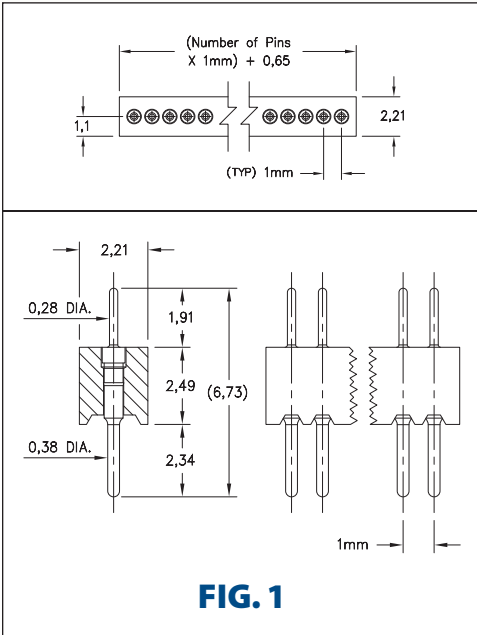


FIG. 1

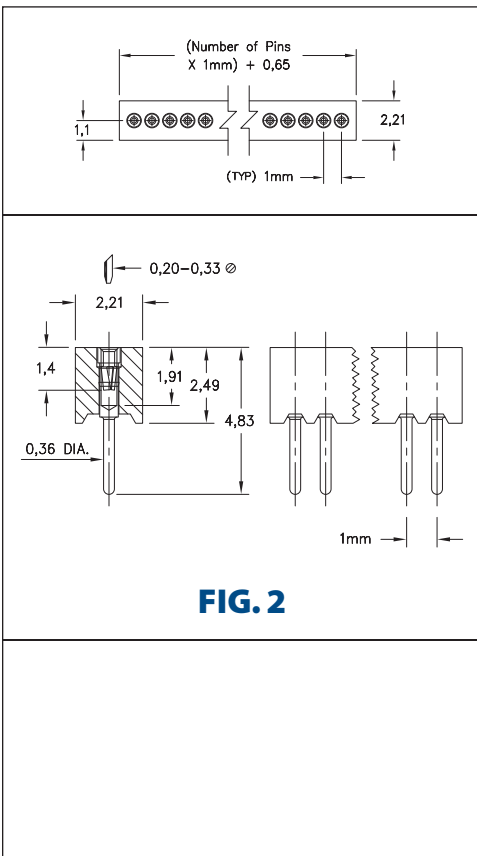
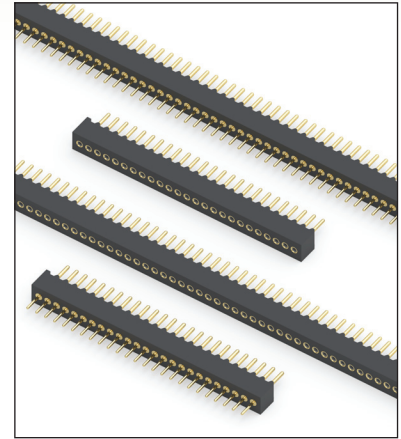


FIG. 2

- Series 860 headers and Series 861 sockets are single row, 1mm pitch interconnects rated at 2 amps
- Series 860 headers have 0,38 diameter solder tails and 0,28 diameter pluggable pins (MM #3039) See page 208 for details
- Series 861 sockets have 0,36 diameter solder tails (MM #0439). See page 156 for details
- Both 860 headers and 861 sockets are available in 2-50 position strips
- The header and socket provide a mated height of 4,98 for board stacking applications
- Insulators are high temperature thermoplastic, suitable for most soldering processes, and feature standoffs to promote solder flow



ORDERING INFORMATION

FIG. 1	Series 860...002		Single Row 1mm Header			
		860-10-0		-10-002000		
	Specify number of pins		02-50			
	SPECIFY PLATING CODE XX=		10			
	Pin Plating		0,25µm Au			
FIG. 2	Series 861...002		Single Row 1mm Socket			
		861-13-0		-10-002000		
	Specify number of pins		02-50			
	SPECIFY PLATING CODE XX=		13			
	Sleeve (Pin)		0,25µm Au			
	Contact (Clip)		0,76µm Au			