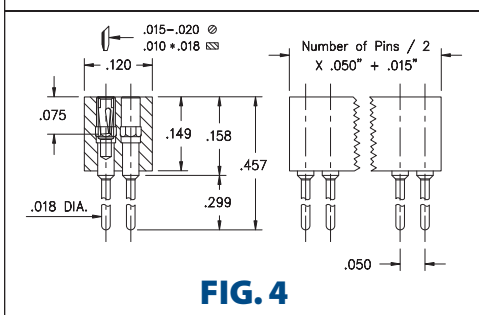
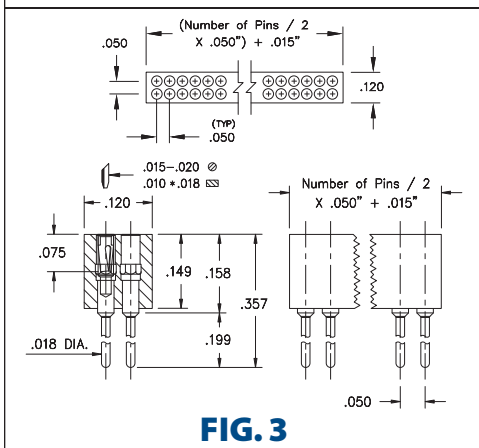
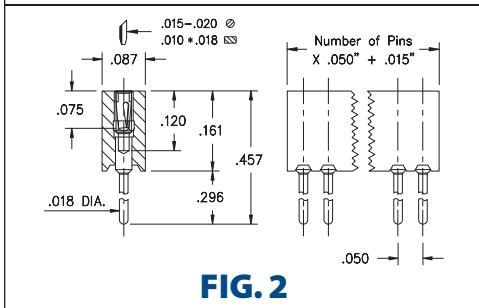
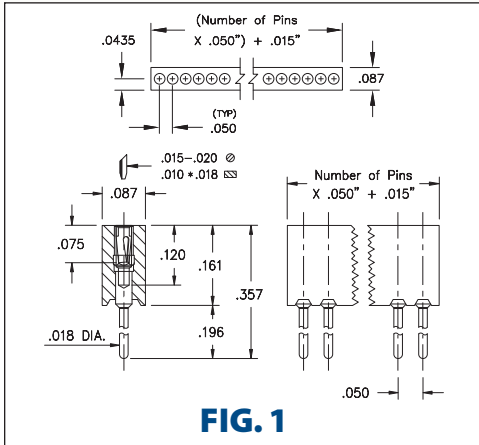
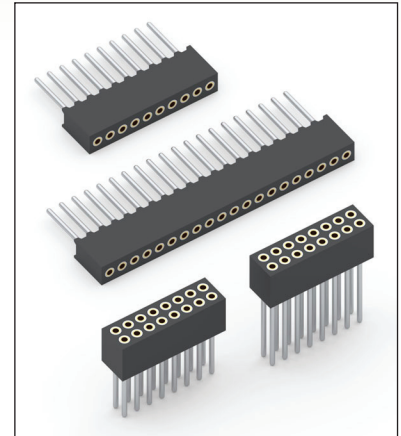


# INTERCONNECTS

## SERIES 851 & 853 • .050" GRID LONG TAIL SOCKETS • SINGLE AND DOUBLE ROW STRIPS



- Series 851...011 and 853...011 use MM #4890-1 pins. See page 160 for details
- Series 851...021 and 853...021 use MM #4890-2 pins. See page 160 for details
- Receptacles use Hi-Rel, 3-finger BeCu #11 contact rated at 3 amps. (#11 contact accepts pin diameters from .015"-.020"). See page 251 for details
- Insulators are high temperature thermoplastic, suitable for all soldering operations



### ORDERING INFORMATION

	Series 851...011	Single Row Socket
<b>FIG. 1</b>	851-XX-0	-10-011000 Specify number of pins 01-50
<b>FIG. 2</b>	Series 851...021	Single Row Socket
<b>FIG. 2</b>	851-XX-0	-10-021000 Specify number of pins 01-50
<b>FIG. 3</b>	Series 853...011	Double Row Socket
<b>FIG. 3</b>	853-XX-	-10-011000 Specify number of pins 004-100
<b>FIG. 4</b>	Series 853...021	Double Row Socket
<b>FIG. 4</b>	853-XX-	-10-021000 Specify number of pins 004-100
<div style="display: flex; justify-content: space-around; align-items: center;"> <div style="border: 1px solid black; padding: 5px; background-color: #90EE90;">RoHS-2 2011/65/EU</div> <div style="border: 1px solid black; border-radius: 50%; padding: 5px;">XX=Plating Code See Below</div> <div style="border: 1px solid black; border-radius: 50%; padding: 5px;">For Electrical, Mechanical &amp; Environmental Data, See page 264</div> </div>		
<b>SPECIFY PLATING CODE XX=</b>		
Sleeve (Pin)		41  43
Contact (Clip)		200 μ" Sn    200 μ" Sn 10 μ" Au      30 μ" Au