

INTERCONNECTS

SERIES 851 & 853 • 1,27 GRID LONG TAIL SOCKETS • SINGLE AND DOUBLE ROW STRIPS

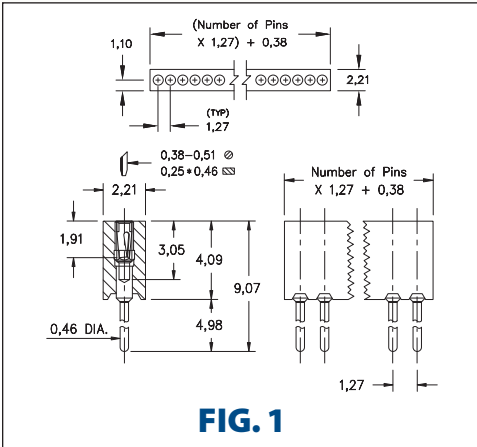


FIG. 1

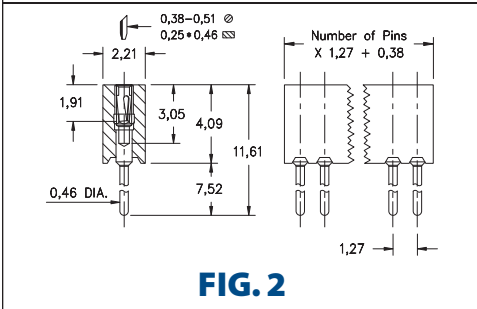


FIG. 2

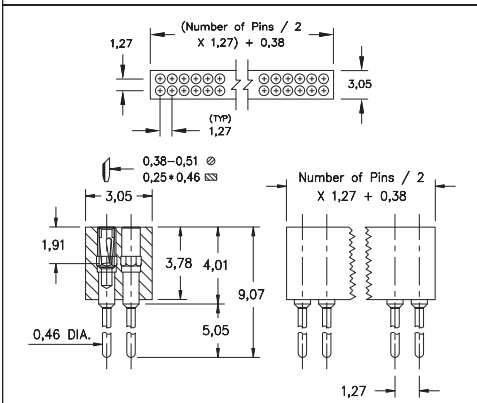


FIG. 3

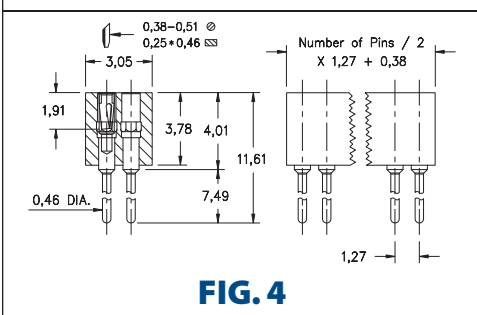
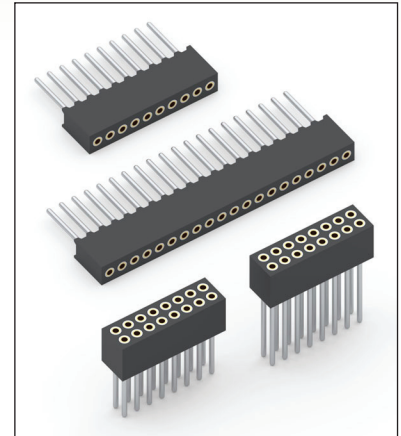


FIG. 4

- Series 851...011 and 853...011 use MM #4890-1 pins. See page 160 for details
- Series 851...021 and 853...021 use MM #4890-2 pins. See page 160 for details
- Receptacles use Hi-Rel, 3-finger BeCu #11 contact rated at 3 amps. (#11 contact accepts pin diameters from 0,38 - 0,51). See page 251 for details
- Insulators are high temperature thermoplastic, suitable for all soldering operations



ORDERING INFORMATION

	Series 851...011	Single Row Socket
FIG. 1	851-XX-0-10-011000	Specify number of pins \uparrow 01-50
FIG. 2	851-XX-0-10-021000	Specify number of pins \uparrow 01-50
FIG. 3	853-XX-10-011000	Specify number of pins \uparrow 004-100
FIG. 4	853-XX-10-021000	Specify number of pins \uparrow 004-100
<div style="display: flex; justify-content: space-around; align-items: center;"> <div style="border: 1px solid black; padding: 5px; background-color: #90EE90;">RoHS-2 2011/65/EU</div> <div style="border: 1px solid black; border-radius: 50%; padding: 5px;">XX=Plating Code See Below</div> <div style="border: 1px solid black; border-radius: 50%; padding: 5px;">For Electrical, Mechanical & Environmental Data, See page 264</div> </div>		
SPECIFY PLATING CODE XX=		
Sleeve (Pin)		41 \blacklozenge 43 \blacklozenge
Contact (Clip)		5,08 μ m Sn 5,08 μ m Sn 0,25 μ m Au 0,76 μ m Au