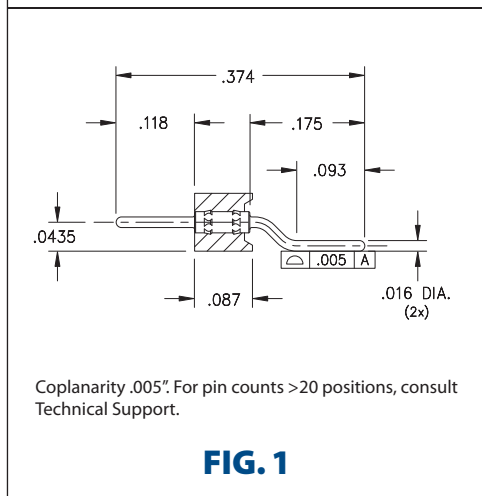
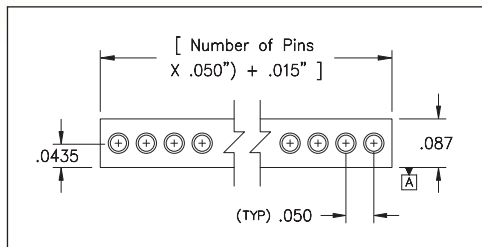
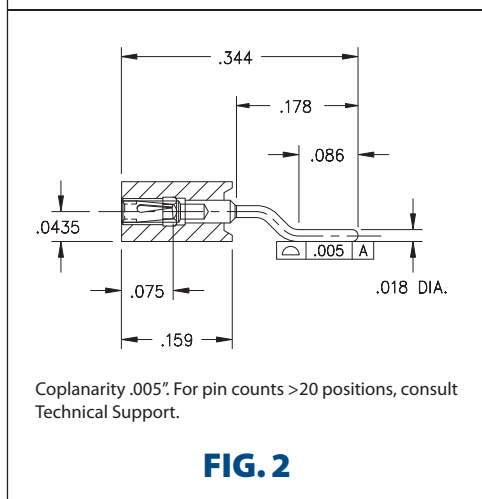
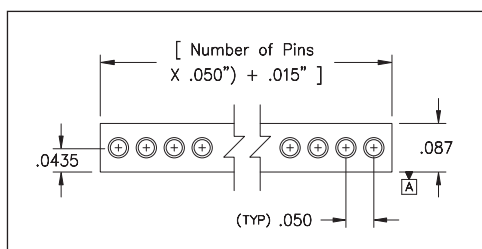


# INTERCONNECTS

## SERIES 850 & 851 • .050" GRID HORIZONTAL SURFACE MOUNT Z-BEND HEADERS & SOCKETS • SINGLE ROW STRIPS

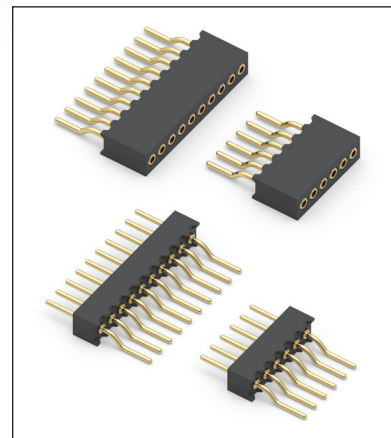


**FIG. 1**



**FIG. 2**

- Series 850 horizontal surface mount headers have .016" dia. pluggable pins and Z-bend tails for SMT soldering to the P.C.B. (MM #4006-1). See page 208 for details
- Series 851 horizontal Surface Mount Z-Bend sockets uses MM #4890-1 receptacles that accept pin diameters from .015"-.020". See page 160 for details
- Receptacles use Hi-Rel, 3-finger BeCu #11 contact rated at 3 amps. See page 251 for details
- Insulators are high temperature thermoplastic, suitable for all soldering operations



### ORDERING INFORMATION

|                                 |  |          |       |  |  |  |
|---------------------------------|--|----------|-------|--|--|--|
| <b>FIG. 1</b>                   | <b>Series 850...001 Single Row Surface Mount Z-Bend Header</b> |          |       |  |  |  |
|                                 | 850-10-0-40-001000   |          |       |  |  |  |
|                                 | Specify number of pins   |          | 02-20 |  |  |  |
|                                 |  |          |       |  |  |  |
| <b>SPECIFY PLATING CODE XX=</b> |  | 10       |       |  |  |  |
| Pin Plating                     |  | 10 μ" Au |       |  |  |  |

|                                 |  |          |          |  |  |  |
|---------------------------------|--|----------|----------|--|--|--|
| <b>FIG. 2</b>                   | <b>Series 851...001 Single Row Surface Mount Z-Bend Socket</b> |          |          |  |  |  |
|                                 | 851-XX-0-40-001000   |          |          |  |  |  |
|                                 | Specify number of pins   |          | 02-20    |  |  |  |
|                                 |  |          |          |  |  |  |
| <b>SPECIFY PLATING CODE XX=</b> |  | 11       | 13       |  |  |  |
| Sleeve (Pin)                    |  | 10 μ" Au | 10 μ" Au |  |  |  |
| Contact (Clip)                  |  | 10 μ" Au | 30 μ" Au |  |  |  |

