

INTERCONNECTS

SERIES 350, 450, 801, 803 • 2,54 GRID (0,64 DIA. PINS), LOW PROFILE HEADERS & VERSATILE SOCKETS • SINGLE & DOUBLE ROW STRIPS

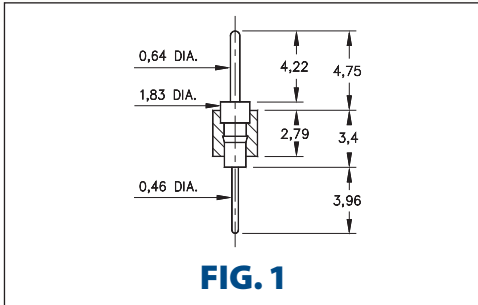


FIG. 1

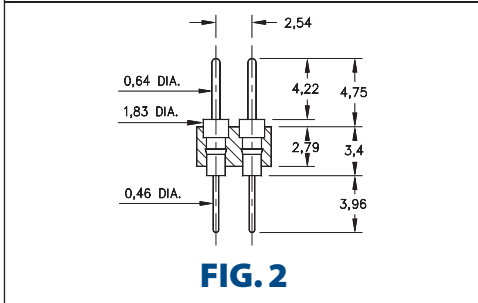


FIG. 2

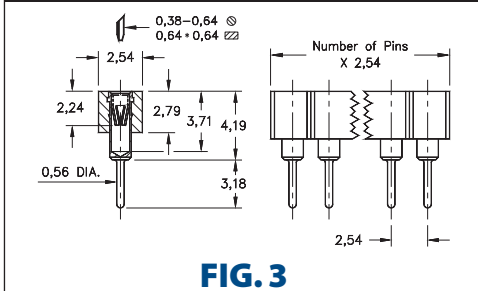


FIG. 3

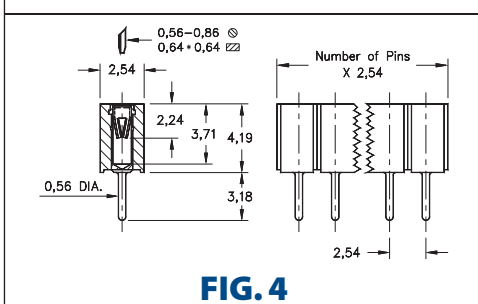


FIG. 4

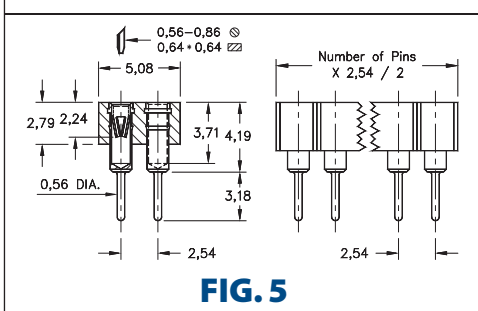
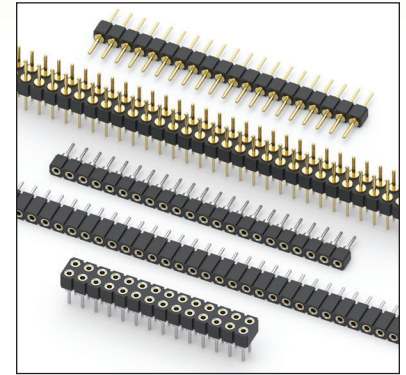


FIG. 5

- Series 350 and 450 single and double row pin headers use MM #0290 pins. See page 215 for details
- Series 801 and 803 single and double row low profile sockets use MM #1303 receptacles. See page 180 for details
- Series 801 and 803 receptacles use Hi-Rel, 6-finger BeCu #16 contact rated at 4.5 amps. Receptacles accept 0,64 diameter and 0,64 square pins. See page 256 for details
- Insulators are high temperature thermoplastic, suitable for all soldering operations



ORDERING INFORMATION

FIG. 1	Series 350...001	Single Row 0,64 Pin / 0,46 Solder Tail		
		350-XX-1	-00-001000	
	Specify number of pins		01-64	
FIG. 2	Series 450...001	Double Row 0,64 Pin / 0,46 Solder Tail		
		450-XX-2	-00-001000	
	Specify number of pins		04-64	
		XX=Plating Code See Below		<i>For Electrical, Mechanical & Environmental Data, See page 264</i>
SPECIFY PLATING CODE XX=		10	90	40
Pin Plating		0,25µm Au	5,08µm Sn/Pb	5,08µm Sn
FIG. 3	Series 801...003	Low Profile Socket (short insulator)		
		801-XX-0	-10-003000	
	Specify number of pins		01-64	
FIG. 4	Series 801...013	Low Profile Socket (long insulator)		
		801-XX-0	-10-013000	
	Specify number of pins		01-36	
FIG. 5	Series 803...003	Double Row Low Profile Socket		
		803-XX-0	-10-003000	
	Specify number of pins		04-72	
		XX=Plating Code See Below		<i>For Electrical, Mechanical & Environmental Data, See page 264</i>
SPECIFY PLATING CODE XX=				41 43
Sleeve (Pin)				5,08µm Sn 5,08µm Sn
Contact (Clip)				0,25µm Au 0,76µm Au

