

INTERCONNECTS

SERIES 802 & 803 • 2,54 GRID (0,76 DIA. PINS), SOLDERLESS PRESS-FIT • DOUBLE ROW STRIPS

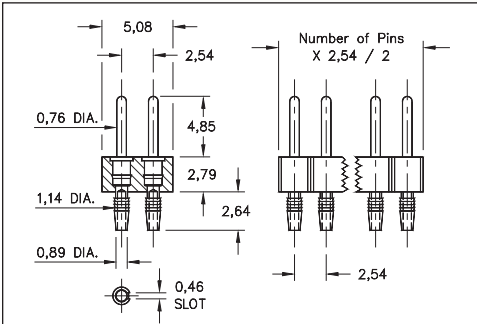


FIG. 1

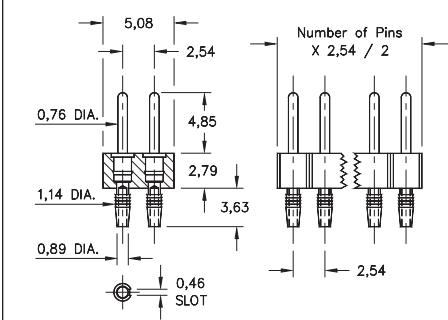


FIG. 2

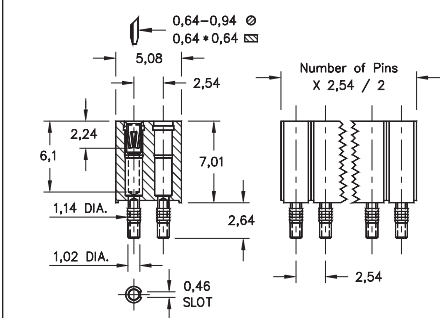


FIG. 3

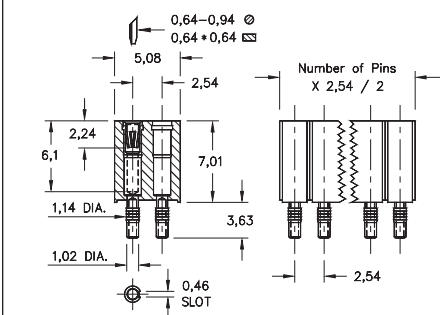
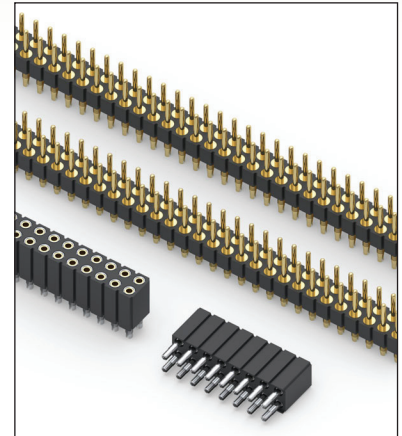


FIG. 4

- The unique compliant tail pins conform to $1,02 \pm 0,76$ finished hole without stressing inner layers. Patent No. 4,799,904
- Headers and sockets are available for board thicknesses of 1,52 - 2,54 and 2,29 - 3,3. See ordering information for details
- Series 802 pin headers use MM #5601 and #5602 compliant tail pins featuring a 0,76 dia. mating lead. See page 220 for details
- Series 803 sockets with MM #4614 or #4615 pins use Hi-Rel, 6-finger BeCu #47 contact rated at 4.5 amps. Receptacles accept 0,76 diameter pins & 0,64 square pins. See pg. 256 for details
- Insulators are high temperature thermoplastic



ORDERING INFORMATION

FIG. 1	Compliant Tail Pin Header for 1,52 - 2,54 Thick Boards			
	802-XX-0__-61-001000 Specify number of pins 04-64			
FIG. 2	Compliant Tail Pin Header for 2,29 - 3,3 Thick Boards			
	802-XX-0__-62-001000 Specify number of pins 04-64			
XX=Plating Code See Below For Electrical, Mechanical & Environmental Data, See page 264				
SPECIFY PLATING CODE XX=				
Pin Plating 0,25µm Au 5,08µm Sn/Pb 5,08µm Sn				

FIG. 3	Compliant Tail Socket for 1,52 - 2,54 Thick Boards							
	803-XX-__-61-001000 Specify number of pins 004-100							
FIG. 4	Compliant Tail Socket for 2,29 - 3,3 Thick Boards							
	803-XX-__-62-001000 Specify number of pins 004-100							
XX=Plating Code See Below For Electrical, Mechanical & Environmental Data, See page 264								
SPECIFY PLATING CODE XX=								
Sleeve (Pin) 0,25µm Au 0,25µm Au 5,08µm Sn/Pb 5,08µm Sn/Pb 5,08µm Sn/Pb 5,08µm Sn 5,08µm Sn 5,08µm Sn								
Contact (Clip) 0,25µm Au 0,76µm Au 0,25µm Au 0,76µm Au 2,54µm Sn/Pb 0,25µm Au 0,76µm Au 2,54µm Sn								