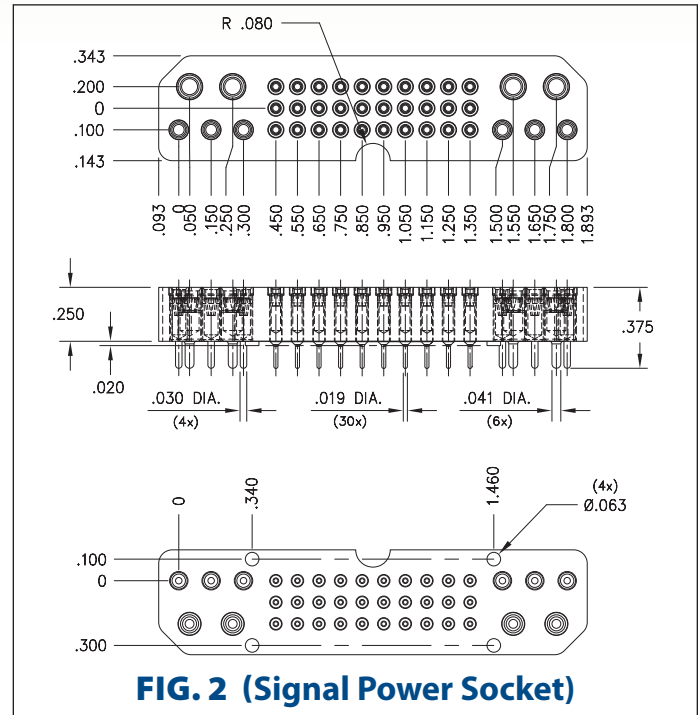
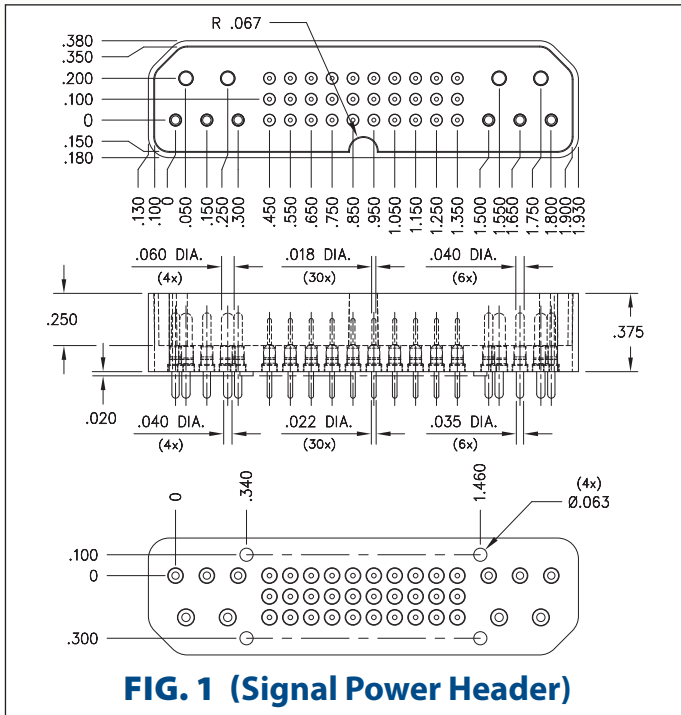


INTERCONNECTS

SERIES 808 & 809 • .100" GRID (.018" DIA. PINS), STRAIGHT, SIGNAL POWER SHROUDED HEADER & SOCKET CONNECTOR



- Series 808 and 809 signal power header & socket have a mated height of .415"
- Series 808 headers have .018" diameter (MM #3503), .040" diameter (MM #3502) and .060" diameter (MM #3501) solder tails. See pages 213 and 214 for details
- Series 809 sockets use MM #0405-0, #8852-0 and #9324-0 receptacles. See pages 170, 182 and 189 for details
- Receptacles use Hi-Rel, 4-finger BeCu #32 and #34 contacts & Hi-Rel, 6-finger BeCu #23 contacts. See pages 253, 258 and 260 for details
- Insulators are high temperature thermoplastic, suitable for most soldering processes, and feature standoffs to promote solder flow

ORDERING INFORMATION

FIG. 1	Series 808...151	Shrouded Signal Power Header		
	808-10-040-10-151000			
SPECIFY PLATING CODE XX=		10		
Pin Plating		10 μ" Au		

FIG. 2	Series 809...001	Signal Power Socket		
	809-43-040-10-001000			
SPECIFY PLATING CODE XX=				43
Sleeve (Pin)				200 μ" Sn
Contact (Clip)				30 μ" Au

