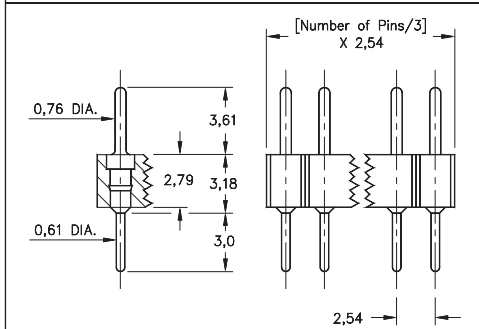
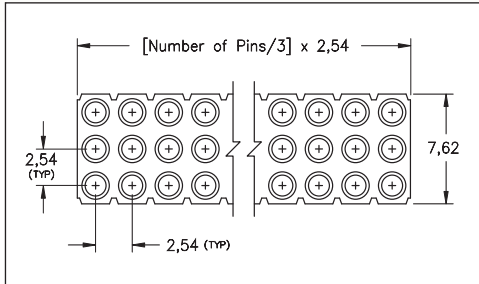
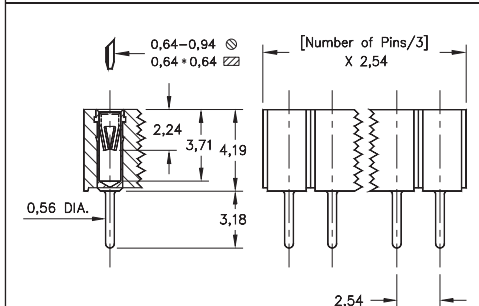
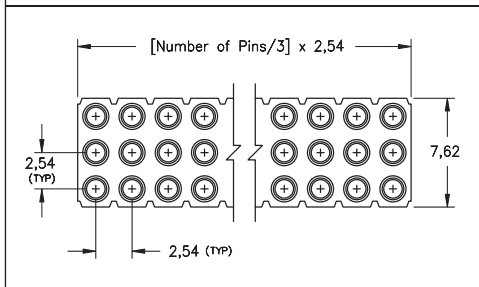


# INTERCONNECTS

## SERIES 804 & 805 • 2,54 GRID (0,76 DIA. PINS), HEADERS AND SOCKETS • TRIPLE ROW

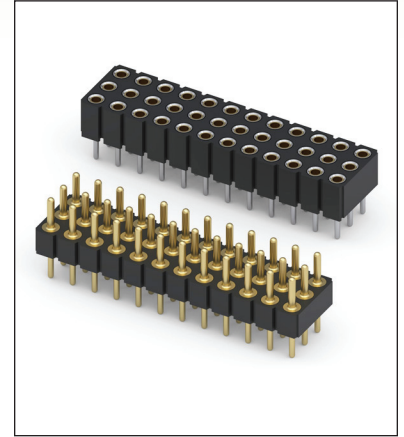


**FIG. 1**



**FIG. 2**

- Series 804 triple row 2,54 grid headers uses MM #5016 pins. See page 215 for details
- Series 805 triple row 2,54 grid sockets uses MM #1303 pins. See page 180 for details
- Series 805 triple row 2,54 grid sockets uses Hi-Rel, 6-finger BeCu #47 contact rated at 4.5 amps. See page 256 for details
- Insulators are high temperature thermoplastic, suitable for all soldering operations



### ORDERING INFORMATION

FIG. 1	Series 804...002		Straight Pin Header			
		804-10-0		-10-002000		
	Specify number of pins		09-96			
	SPECIFY PLATING CODE XX=	10				
	Pin Plating		0,25µm Au			
FIG. 2	Series 805...012		Straight Pin Socket			
		805-43-0		-10-012000		
	Specify number of pins		09-96			
	SPECIFY PLATING CODE XX=					43
	Sleeve (Pin)					5,08µm Sn
	Contact (Clip)					0,76µm Au