

INTERCONNECTS

SERIES 800 & 801 • 5,08 GRID (0,76 DIA. PINS), STRAIGHT AND RIGHT ANGLE • SINGLE ROW STRIPS

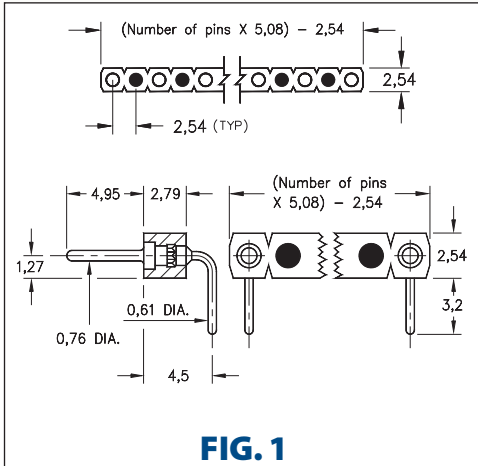


FIG. 1

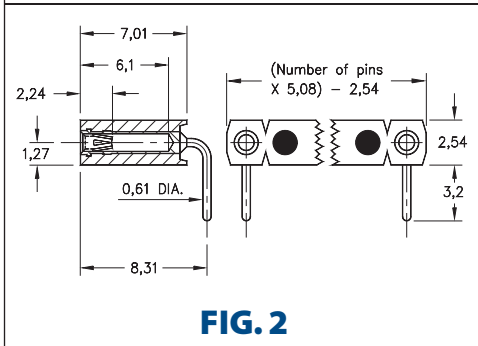


FIG. 2

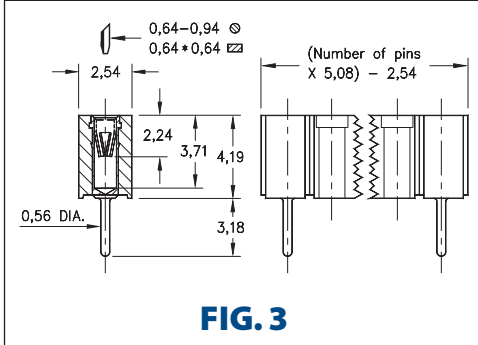


FIG. 3

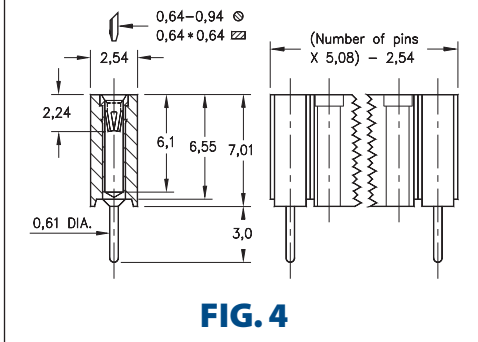
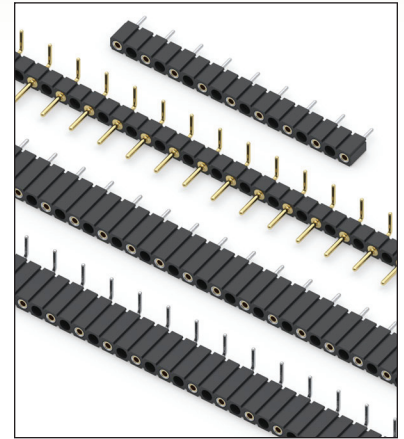


FIG. 4

- Series 800 selectively loaded headers uses MM #5005 pins. See page 215 for details
- Series 801 selectively loaded sockets use MM #1303, #1304 and #1305 pins. See pages 177, 179 & 180 for details
- Series 801 selectively loaded sockets use Hi-Rel, 6-finger BeCu #47 contact rated at 3 amps. See page 256 for details
- Insulators are high temperature thermoplastic, suitable for all soldering operations



ORDERING INFORMATION



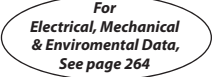








FIG. 1	Series 800...20-201	Right Angle Header
	800-10-0_ -20-201000	Specify number of pins \uparrow 02-32
  		
SPECIFY PLATING CODE XX=		
Pin Plating  0,25µm Au		

FIG. 2	Series 801...20-201	Right Angle Socket
	801-XX-0_ -20-201000	Specify number of pins \uparrow 02-25
FIG. 3	Series 801...10-212	Straight Socket
	801-43-0_ -10-212000	Specify number of pins \uparrow 02-18
FIG. 4	Series 801...10-201	Straight Socket
	801-43-0_ -10-201000	Specify number of pins \uparrow 02-25
  		
SPECIFY PLATING CODE XX=		
Sleeve (Pin)  41  43 		
Contact (Clip)  5,08µm Sn 5,08µm Sn		
0,25µm Au 0,76µm Au		