

INTERCONNECTS

SERIES 421, 422, 423, 424 • .100" GRID WRAPOST • DOUBLE ROW STRIPS

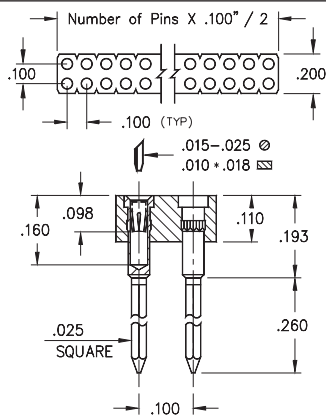


FIG. 1

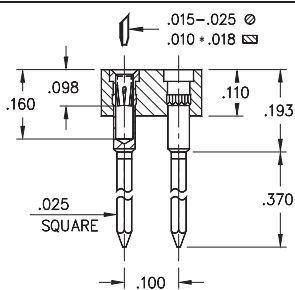


FIG. 2

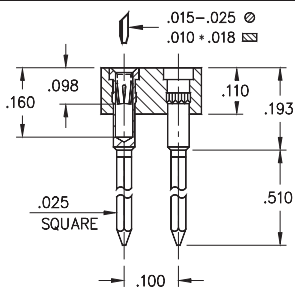


FIG. 3

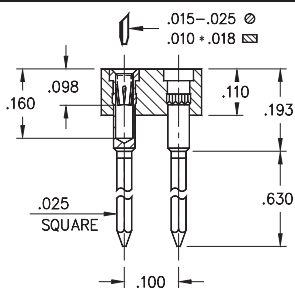


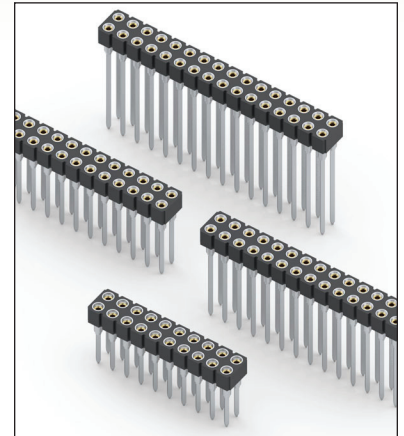
FIG. 4

- Wrapost double row strip sockets are available with 1 - 4 level wraposts:

- 1-Level uses pin # 0040-1
 - 2-Level uses pin # 0089-2
 - 3-Level uses pin # 0088-3
 - 4-Level uses pin # 0086-4
- See page 198 for details

- Hi-Rel, 4-finger BeCu #30 contact is rated at 3 amps. See page 253 for details

- Insulators are high temperature thermoplastic, suitable for all soldering operations



ORDERING INFORMATION

	Series 421...001	1 Level Wrapost	
FIG. 1	421-XX-2	-41-001000	
	Specify number of pins	04-64	
	Series 422...001	2 Level Wrapost	
FIG. 2	422-XX-2	-41-001000	
	Specify number of pins	04-64	
	Series 423...001	3 Level Wrapost	
FIG. 3	423-XX-2	-41-001000	
	Specify number of pins	04-64	
	Series 424...002	4 Level Wrapost	
FIG. 4	424-XX-2	-41-002000	
	Specify number of pins	04-64	
<div style="display: flex; justify-content: space-around; align-items: center;"> <div style="border: 1px solid black; padding: 5px; background-color: #90EE90;">RoHS-2 2011/65/EU</div> <div style="border: 1px solid black; border-radius: 50%; padding: 5px;">XX=Plating Code See Below</div> <div style="border: 1px solid black; border-radius: 50%; padding: 5px;">For Electrical, Mechanical & Environmental Data, See page 264</div> </div>			
SPECIFY PLATING CODE XX=			
	13	93	43
Sleeve (Pin)	10 μ" Au	200 μ" Sn/Pb	200 μ" Sn
Contact (Clip)	30 μ" Au	30 μ" Au	30 μ" Au