

INTERCONNECTS

SERIES 421, 422, 423, 424 • 2,54 GRID WRAPOST • DOUBLE ROW STRIPS

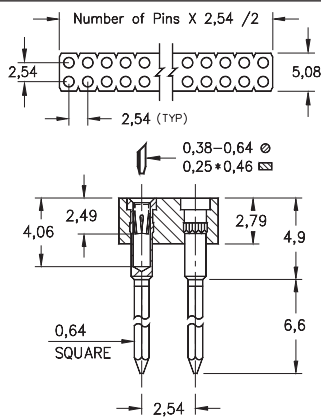


FIG. 1

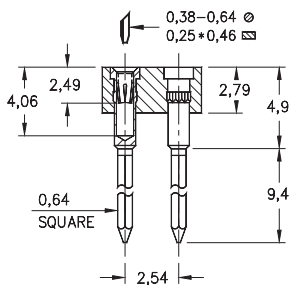


FIG. 2

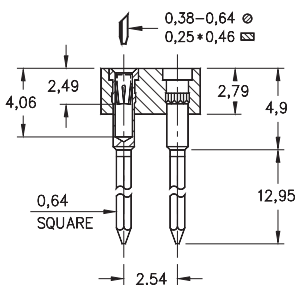


FIG. 3

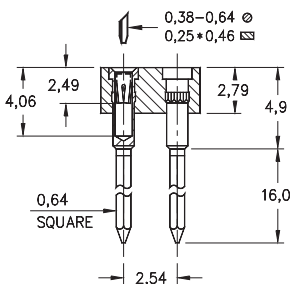


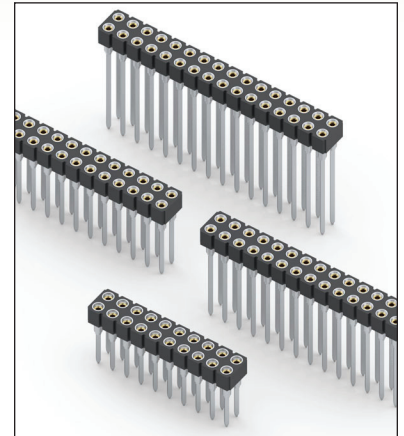
FIG. 4

- Wrapost double row strip sockets are available with 1 - 4 level wraposts:

- 1-Level uses pin # 0040-1
 - 2-Level uses pin # 0089-2
 - 3-Level uses pin # 0088-3
 - 4-Level uses pin # 0086-4
- See page 198 for details

- Hi-Rel, 4-finger BeCu #30 contact is rated at 3 amps. See page 253 for details

- Insulators are high temperature thermoplastic, suitable for all soldering operations



ORDERING INFORMATION

	Series 421...001	1 Level Wrapost
FIG. 1	421-XX-2	-41-001000
	Specify number of pins	04-64
	Series 422...001	2 Level Wrapost
FIG. 2	422-XX-2	-41-001000
	Specify number of pins	04-64
	Series 423...001	3 Level Wrapost
FIG. 3	423-XX-2	-41-001000
	Specify number of pins	04-64
	Series 424...002	4 Level Wrapost
FIG. 4	424-XX-2	-41-002000
	Specify number of pins	04-64



XX=Plating Code
See Below

For
Electrical, Mechanical
& Environmental Data,
See page 264

SPECIFY PLATING CODE XX=	13	93	43
Sleeve (Pin)	0,25µm Au	508µm Sn/Pb	5,08µm Sn
Contact (Clip)	0,76µm Au	0,76µm Au	0,76µm Au

