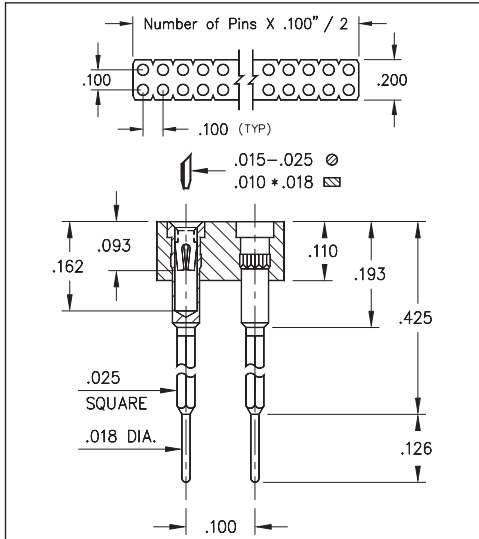
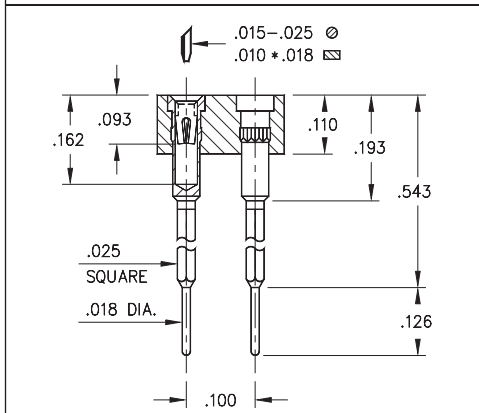


# INTERCONNECTS

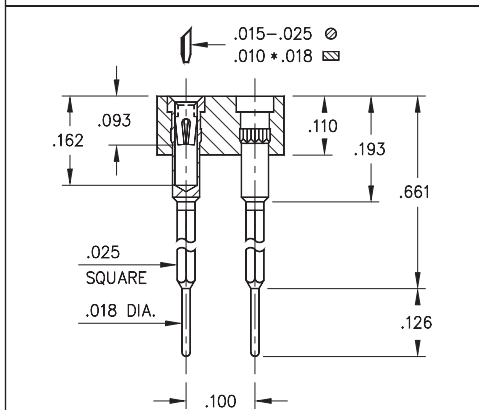
## SERIES 426 • .100" GRID WRAPOST WITH SOLDER TAIL • DOUBLE ROW STRIPS



**FIG. 1**



**FIG. 2**



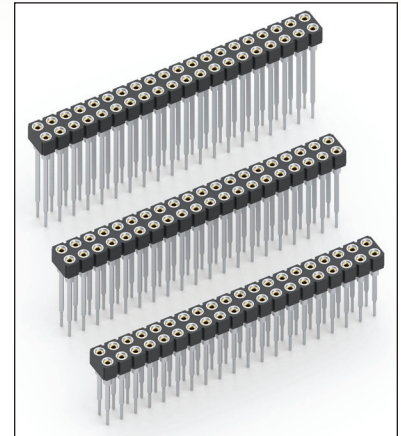
**FIG. 3**

- Wrapost / Solder Tail combination for interconnect purposes are available in 3 lengths using pin numbers:

426...001 uses pin # 2601  
 426...002 uses pin # 2602  
 426...003 uses pin # 2603  
 See page 199 for details

- Hi-Rel, 4-finger BeCu #30 contact is rated at 3 amps. See page 253 for details

- Insulators are high temperature thermoplastic, suitable for all soldering operations



### ORDERING INFORMATION

	Series 426...001	1 Level Wrapost
<b>FIG. 1</b>	426-XX-2	-41-001000 Specify number of pins 04-64
<b>FIG. 2</b>	Series 426...002	2 Level Wrapost
	426-XX-2	-41-002000 Specify number of pins 04-64
<b>FIG. 3</b>	Series 426...003	3 Level Wrapost
	426-XX-2	-41-003000 Specify number of pins 04-64



XX=Plating Code  
See Below

For  
Electrical, Mechanical  
& Environmental Data,  
See page 264

SPECIFY PLATING CODE XX=	13	93	43
Sleeve (Pin)	10 μ" Au	200 μ" Sn/Pb	200 μ" Sn
Contact (Clip)	30 μ" Au	30 μ" Au	30 μ" Au

