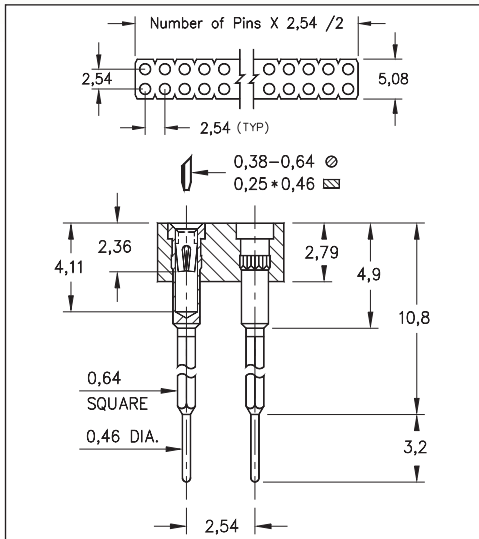
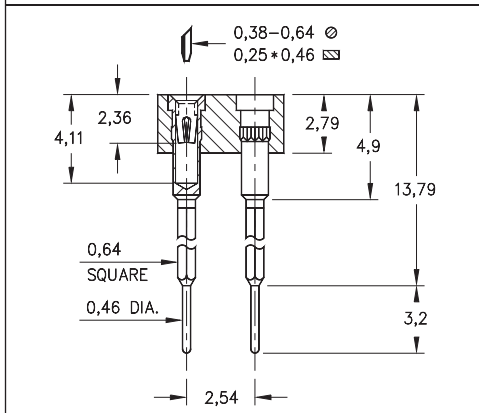


# INTERCONNECTS

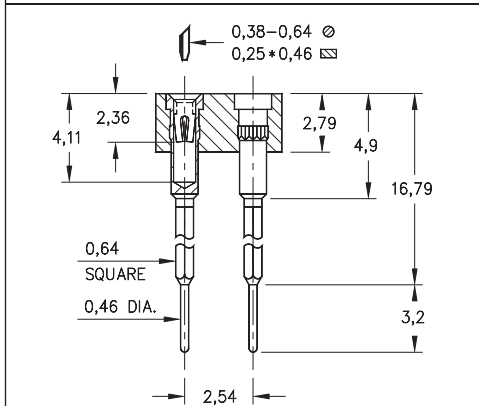
## SERIES 426 • 2,54 GRID WRAPOST WITH SOLDER TAIL • DOUBLE ROW STRIPS



**FIG. 1**



**FIG. 2**



**FIG. 3**

- Wrapost / Solder Tail combination for interconnect purposes are available in 3 lengths using pin numbers:

426...001 uses pin # 2601

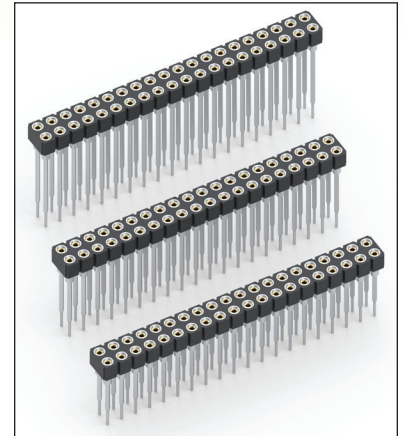
426...002 uses pin # 2602

426...003 uses pin # 2603

See page 199 for details

- Hi-Rel, 4-finger BeCu #30 contact is rated at 3 amps. See page 253 for details

- Insulators are high temperature thermoplastic, suitable for all soldering operations



### ORDERING INFORMATION

|               | Series 426...001       | 1 Level Wrappost |
|---------------|------------------------|------------------|
| <b>FIG. 1</b> | 426-XX-2               | -41-001000       |
|               | Specify number of pins | 04-64            |
| <b>FIG. 2</b> | Series 426...002       | 2 Level Wrappost |
|               | 426-XX-2               | -41-002000       |
|               | Specify number of pins | 04-64            |
| <b>FIG. 3</b> | Series 426...003       | 3 Level Wrappost |
|               | 426-XX-2               | -41-003000       |
|               | Specify number of pins | 04-64            |



XX=Plating Code  
See Below

For  
Electrical, Mechanical  
& Environmental Data,  
See page 264

| SPECIFY PLATING CODE XX= | 13        | 93          | 43        |
|--------------------------|-----------|-------------|-----------|
| Sleeve (Pin)             | 0,25µm Au | 508µm Sn/Pb | 5,08µm Sn |
| Contact (Clip)           | 0,76µm Au | 0,76µm Au   | 0,76µm Au |