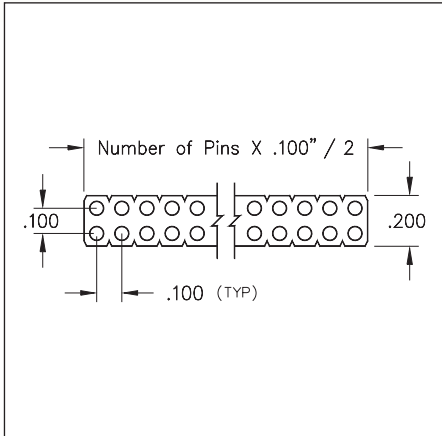
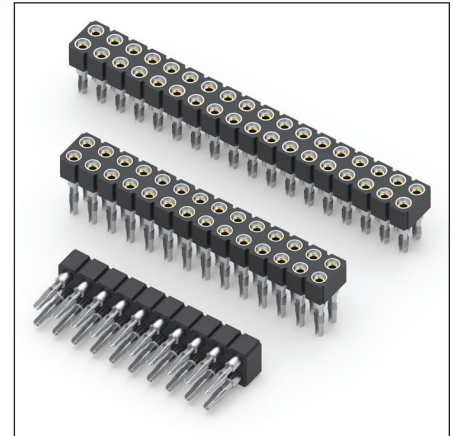


# INTERCONNECTS

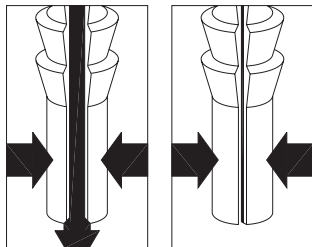
## SERIES 446 • .100" GRID COMPLIANT TAIL • DOUBLE ROW STRIPS



- Compliant tail solderless press-fit: MM #4612 or #4613 pins. Use series 446...012 for .060"-.120" thick boards and series 446...013 for .090"-.130" thick boards. See page 162 for details
- Compliant tail receptacles can be inserted and removed without any degradation of the plated through-hole
- Hi-Rel, 4-finger BeCu #30 contact is rated at 3 amps. See page 253 for details
- Insulators are high temperature thermoplastic



### APPLICATION OF COMPLIANT TAIL PINS



Mill-Max's patented\* compliant tail features precision-machined pins that are hollow and slotted to conform to a  $.040" \pm .003"$  diameter PTH. As the pin is inserted, the slot compresses to fit the PTH, thus avoiding damage (see illustration at left). The pin's tail has fine serrations that form a perfect "gas tight" connection that doesn't require soldering. And since the pin doesn't damage the hole, compliant tail sockets and connectors can be easily replaced.

\*Patent No. 4,799,904.

### ORDERING INFORMATION

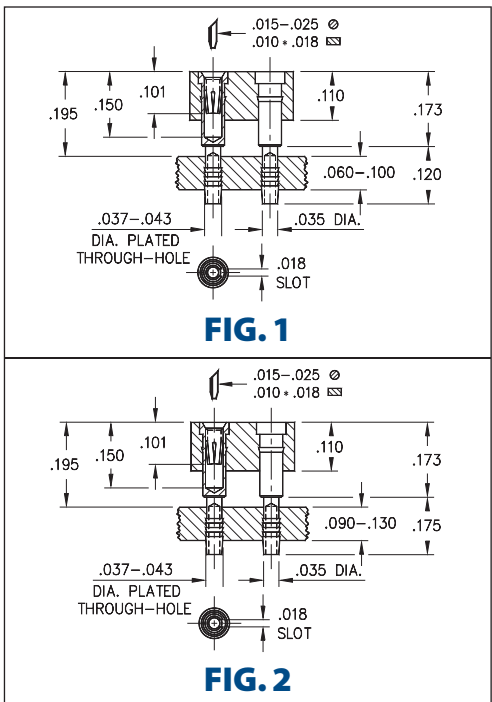


FIG. 1	Series 446...012	Compliant Tail Socket
	446-XX-2	-41-012000
	Specify number of pins	04-64
FIG. 2	Series 446...013	Compliant Tail Socket
	446-XX-2	-41-013000
	Specify number of pins	04-64



XX=Plating Code  
See Below

For  
Electrical, Mechanical  
& Environmental Data,  
See page 264

SPECIFY PLATING CODE XX=	13	93	99	43	44
Sleeve (Pin)	10 $\mu$ " Au	200 $\mu$ " Sn/Pb	200 $\mu$ " Sn/Pb	200 $\mu$ " Sn	200 $\mu$ " Sn
Contact (Clip)	30 $\mu$ " Au	30 $\mu$ " Au	100 $\mu$ " Sn/Pb	30 $\mu$ " Au	100 $\mu$ " Sn

