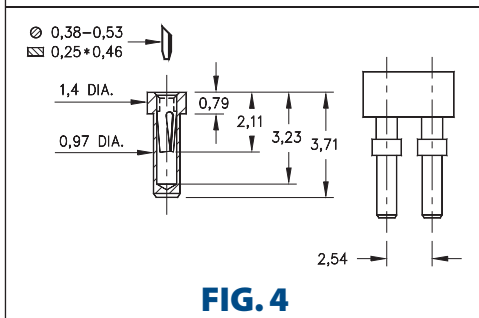
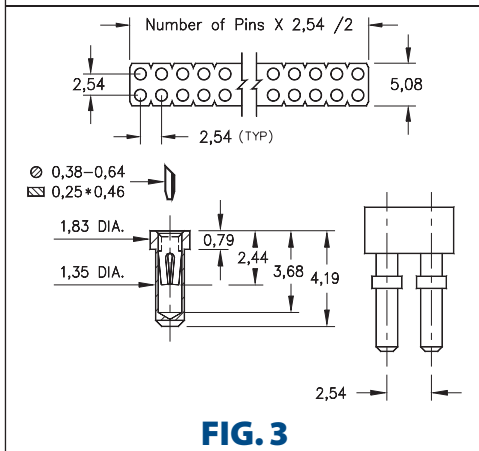
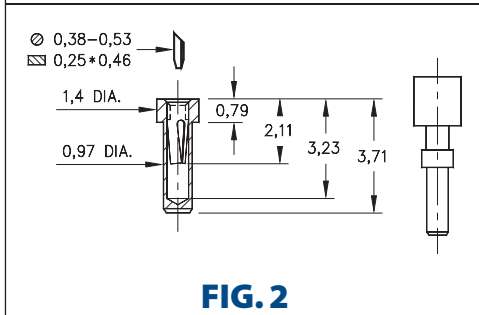
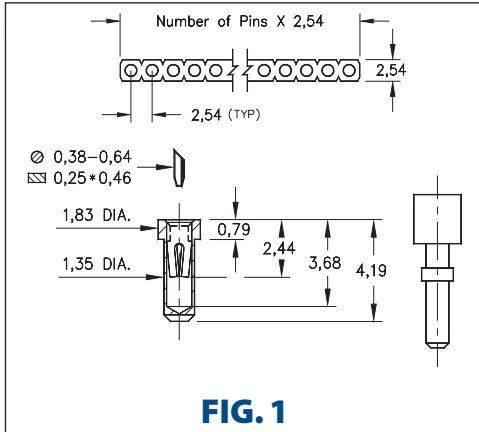
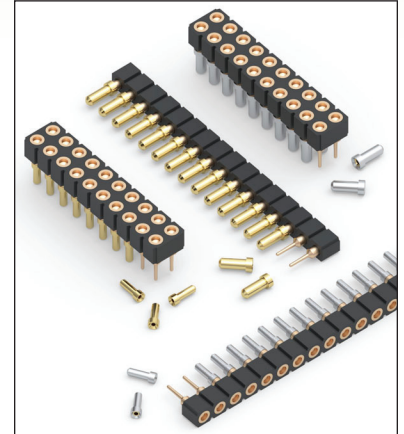


INTERCONNECTS

SERIES 714...00X • 2,54 GRID LOW PROFILE CARRIERS • SINGLE AND DOUBLE ROW STRIPS



- Low profile receptacles sit 0,79 above the board
- Series 714 use MM #1401 and MM #1407 pin receptacles. See pages 157 and 170 for details
- Hi-Rel, 4-finger BeCu #30 contact is used in the #1401 receptacle and a BeCu #11 contact is used in the #1407. Both contacts are rated at 3 amps. See pages 251 and 253 for details
- Insulators are high temperature thermoplastic, suitable for all soldering operations



ORDERING INFORMATION

FIG. 1	Single Row (1,4 min. mounting hole)				
	714-XX-1- -41-001000	Specify number of pins	01-64		
FIG. 2	Single Row (0,99 min. mounting hole)				
	714-XX-1- -31-007000	Specify number of pins	01-64		
FIG. 3	Double Row (1,4 min. mounting hole)				
	714-XX-2- -41-001000	Specify number of pins	04-64		
FIG. 4	Double Row (0,99 min. mounting hole)				
	714-XX-2- -31-007000	Specify number of pins	04-64		
<div style="display: flex; justify-content: space-around; align-items: center;"> <div style="border: 1px solid black; padding: 5px; background-color: #90EE90;">RoHS-2 2011/65/EU</div> <div style="border: 1px solid black; border-radius: 50%; padding: 5px;">XX=Plating Code See Below</div> <div style="border: 1px solid black; border-radius: 50%; padding: 5px;">For Electrical, Mechanical & Environmental Data, See page 264</div> </div>					
SPECIFY PLATING CODE XX=					
Sleeve (Pin)		91	93	41	43
Contact (Clip)		5,08µm Sn/Pb	5,08µm Sn/Pb	5,08µm Sn	5,08µm Sn
		0,25µm Au	0,76µm Au	0,25µm Au	0,76µm Au