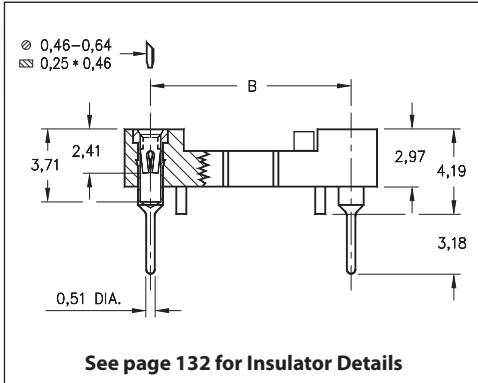
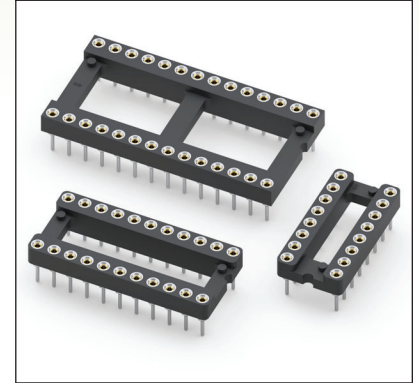


# DUAL-IN-LINE SOCKETS

## SERIES 110...605 • AUTOMATIC INSERTION • OPEN FRAME



- High temperature thermoplastic insulator with standoffs is compatible with standard automatic insertion equipment and all soldering processes
- Soft copper alloy machined pins allow clinching. Chamfered contact entry allows for ease of IC insertion without bent leads
- Hi-Rel, 4-finger BeCu #30 contact is rated at 3 amps. See page 253 for details
- Series 110 uses MM #1005 pins. See page 166 for details
- For Electrical, Mechanical and Environmental Data, see page 264 for details



Total number of pins				Quantity per tube	ORDERING INFORMATION							
	A	B	C									
6	7,6	7,62	10,1	67	110-XX-306-41-605000							
8	10,1	7,62	10,1	50	110-XX-308-41-605000							
14	17,7	7,62	10,1	28	110-XX-314-41-605000							
16	20,3	7,62	10,1	25	110-XX-316-41-605000							
18	22,8	7,62	10,1	22	110-XX-318-41-605000							
20	25,3	7,62	10,1	20	110-XX-320-41-605000							
24	30,4	7,62	10,1	16	110-XX-324-41-605000							
22	27,8	10,16	12,7	18	110-XX-422-41-605000							
24	30,4	15,24	17,7	16	110-XX-624-41-605000							
28	35,5	15,24	17,7	14	110-XX-628-41-605000							
32	40,6	15,24	17,7	12	110-XX-632-41-605000							
40	50,8	15,24	17,7	10	110-XX-640-41-605000							
<div style="border: 1px solid black; border-radius: 50%; padding: 5px; display: inline-block;"> <b>XX=Plating Code See Below</b> </div>					<div style="border: 1px solid black; padding: 5px; display: inline-block;"> <b>RoHS-2 2011/65/EU</b> </div>							
<b>SPECIFY PLATING CODE XX =</b>					91	93		41	43	47		
Sleeve (Pin)					5,08µm Sn/Pb	5,08µm Sn/Pb		5,08µm Sn	5,08µm Sn	5,08µm Sn		
Contact (Clip)					0,25µm Au	0,76µm Au		0,25µm Au	0,76µm Au	Au Flash		