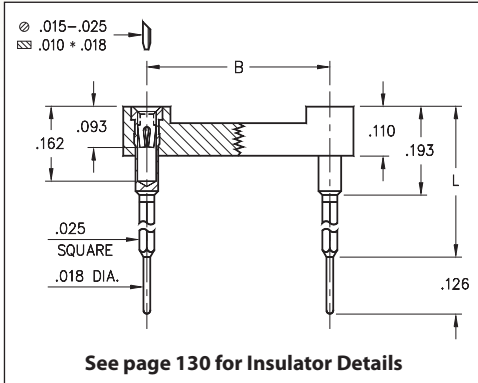
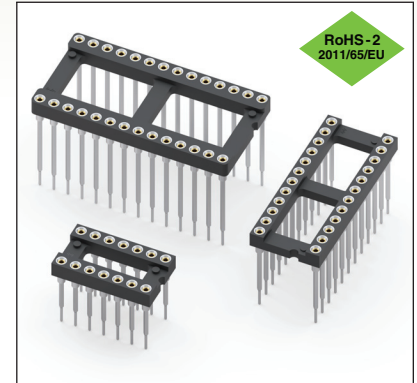


# DUAL-IN-LINE SOCKETS

## SERIES 126 • PLUGGABLE WRAPOST • OPEN FRAME



- Combines one through three level wrappost with pluggable solder tails
- Suitable for use as an interconnect socket with intermediate wire wrapped connections
- Hi-Rel, 4-finger BeCu #30 contact is rated at 3 amps. See page 253 for details
- Series 126 uses MM #2601, #2602 and #2603 pins. See page 199 for details
- Insulators are high temperature thermoplastic, suitable for all soldering operations
- For Electrical, Mechanical and Environmental Data, see page 264 for details



| Total number of pins      |     |     |     | Quantity per tube | ORDERING INFORMATION                  |                      |                                       |           |                                       |                                 |
|---------------------------|-----|-----|-----|-------------------|---------------------------------------|----------------------|---------------------------------------|-----------|---------------------------------------|---------------------------------|
|                           | A   | B   | C   |                   | L = .425<br>(1 Level Wrappost = .232) |                      | L = .543<br>(2 Level Wrappost = .350) |           | L = .661<br>(3 Level Wrappost = .469) |                                 |
|                           |     |     |     |                   | 91                                    | 93                   | 41                                    | 43        | 41                                    | 43                              |
| 10                        | 0.5 | 0.2 | 0.3 | 40                | 126-XX-210-41-001000                  | 126-XX-210-41-002000 | 126-XX-210-41-003000                  |           |                                       |                                 |
| 4                         | 0.2 | 0.3 | 0.4 | 102               | 126-XX-304-41-001000                  | 126-XX-304-41-002000 | 126-XX-304-41-003000                  |           |                                       |                                 |
| 6                         | 0.3 | 0.3 | 0.4 | 67                | 126-XX-306-41-001000                  | 126-XX-306-41-002000 | 126-XX-306-41-003000                  |           |                                       |                                 |
| 8                         | 0.4 | 0.3 | 0.4 | 50                | 126-XX-308-41-001000                  | 126-XX-308-41-002000 | 126-XX-308-41-003000                  |           |                                       |                                 |
| 10                        | 0.5 | 0.3 | 0.4 | 40                | 126-XX-310-41-001000                  | 126-XX-310-41-002000 | 126-XX-310-41-003000                  |           |                                       |                                 |
| 14                        | 0.7 | 0.3 | 0.4 | 28                | 126-XX-314-41-001000                  | 126-XX-314-41-002000 | 126-XX-314-41-003000                  |           |                                       |                                 |
| 16                        | 0.8 | 0.3 | 0.4 | 25                | 126-XX-316-41-001000                  | 126-XX-316-41-002000 | 126-XX-316-41-003000                  |           |                                       |                                 |
| 18                        | 0.9 | 0.3 | 0.4 | 22                | 126-XX-318-41-001000                  | 126-XX-318-41-002000 | 126-XX-318-41-003000                  |           |                                       |                                 |
| 20                        | 1.0 | 0.3 | 0.4 | 20                | 126-XX-320-41-001000                  | 126-XX-320-41-002000 | 126-XX-320-41-003000                  |           |                                       |                                 |
| 22                        | 1.1 | 0.3 | 0.4 | 18                | 126-XX-322-41-001000                  | 126-XX-322-41-002000 | 126-XX-322-41-003000                  |           |                                       |                                 |
| 24                        | 1.2 | 0.3 | 0.4 | 16                | 126-XX-324-41-001000                  | 126-XX-324-41-002000 | 126-XX-324-41-003000                  |           |                                       |                                 |
| 28                        | 1.4 | 0.3 | 0.4 | 14                | 126-XX-328-41-001000                  | 126-XX-328-41-002000 | 126-XX-328-41-003000                  |           |                                       |                                 |
| 20                        | 1.0 | 0.4 | 0.5 | 20                | 126-XX-420-41-001000                  | 126-XX-420-41-002000 | 126-XX-420-41-003000                  |           |                                       |                                 |
| 22                        | 1.1 | 0.4 | 0.5 | 18                | 126-XX-422-41-001000                  | 126-XX-422-41-002000 | 126-XX-422-41-003000                  |           |                                       |                                 |
| 24                        | 1.2 | 0.4 | 0.5 | 16                | 126-XX-424-41-001000                  | 126-XX-424-41-002000 | 126-XX-424-41-003000                  |           |                                       |                                 |
| 28                        | 1.4 | 0.4 | 0.5 | 14                | 126-XX-428-41-001000                  | 126-XX-428-41-002000 | 126-XX-428-41-003000                  |           |                                       |                                 |
| 32                        | 1.6 | 0.4 | 0.5 | 12                | 126-XX-432-41-001000                  | 126-XX-432-41-002000 | 126-XX-432-41-003000                  |           |                                       |                                 |
| 24                        | 1.2 | 0.6 | 0.7 | 16                | 126-XX-624-41-001000                  | 126-XX-624-41-002000 | 126-XX-624-41-003000                  |           |                                       |                                 |
| 28                        | 1.4 | 0.6 | 0.7 | 14                | 126-XX-628-41-001000                  | 126-XX-628-41-002000 | 126-XX-628-41-003000                  |           |                                       |                                 |
| 32                        | 1.6 | 0.6 | 0.7 | 12                | 126-XX-632-41-001000                  | 126-XX-632-41-002000 | 126-XX-632-41-003000                  |           |                                       |                                 |
| 36                        | 1.8 | 0.6 | 0.7 | 11                | 126-XX-636-41-001000                  | 126-XX-636-41-002000 | 126-XX-636-41-003000                  |           |                                       |                                 |
| 40                        | 2.0 | 0.6 | 0.7 | 10                | 126-XX-640-41-001000                  | 126-XX-640-41-002000 | 126-XX-640-41-003000                  |           |                                       |                                 |
| 42                        | 2.1 | 0.6 | 0.7 | 9                 | 126-XX-642-41-001000                  | 126-XX-642-41-002000 | 126-XX-642-41-003000                  |           |                                       |                                 |
| 48                        | 2.4 | 0.6 | 0.7 | 8                 | 126-XX-648-41-001000                  | 126-XX-648-41-002000 | 126-XX-648-41-003000                  |           |                                       |                                 |
| 50                        | 2.5 | 0.6 | 0.7 | 8                 | 126-XX-650-41-001000                  | 126-XX-650-41-002000 | 126-XX-650-41-003000                  |           |                                       |                                 |
| 52                        | 2.6 | 0.6 | 0.7 | 7                 | 126-XX-652-41-001000                  | 126-XX-652-41-002000 | 126-XX-652-41-003000                  |           |                                       |                                 |
| 50                        | 2.5 | 0.9 | 1.0 | 8                 | 126-XX-950-41-001000                  | 126-XX-950-41-002000 | 126-XX-950-41-003000                  |           |                                       |                                 |
| 52                        | 2.6 | 0.9 | 1.0 | 7                 | 126-XX-952-41-001000                  | 126-XX-952-41-002000 | 126-XX-952-41-003000                  |           |                                       |                                 |
| 64                        | 3.2 | 0.9 | 1.0 | 6                 | 126-XX-964-41-001000                  | 126-XX-964-41-002000 | 126-XX-964-41-003000                  |           |                                       |                                 |
| SPECIFY PLATING CODE XX = |     |     |     |                   |                                       | 91                   | 93                                    | 41        | 43                                    | <br>XX=Plating Code See to Left |
| Sleeve (Pin)              |     |     |     |                   |                                       | 200 μ" Sn/Pb         | 200 μ" Sn/Pb                          | 200 μ" Sn | 200 μ" Sn                             |                                 |
| Contact (Clip)            |     |     |     |                   |                                       | 10 μ" Au             | 30 μ" Au                              | 10 μ" Au  | 30 μ" Au                              |                                 |

