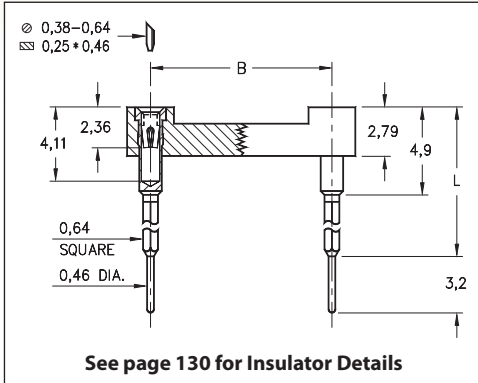
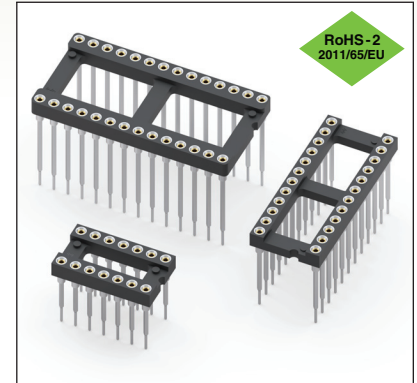


DUAL-IN-LINE SOCKETS

SERIES 126 • PLUGGABLE WRAPOST • OPEN FRAME



- Combines one through three level wrappost with pluggable solder tails
- Suitable for use as an interconnect socket with intermediate wire wrapped connections
- Hi-Rel, 4-finger BeCu #30 contact is rated at 3 amps. See page 253 for details
- Series 126 uses MM #2601, #2602 and #2603 pins. See page 199 for details
- Insulators are high temperature thermoplastic, suitable for all soldering operations
- For Electrical, Mechanical and Environmental Data, see page 264 for details



Total number of pins				Quantity per tube	ORDERING INFORMATION				
					L = 10,8 (1 Level Wrappost = 5,89)	L = 13,79 (2 Level Wrappost = 8,89)	L = 16,79 (3 Level Wrappost = 11,9)		
	A	B	C						
10	12,6	5,08	7,6	40	126-XX-210-41-001000	126-XX-210-41-002000	126-XX-210-41-003000		
4	5,0	7,62	10,1	102	126-XX-304-41-001000	126-XX-304-41-002000	126-XX-304-41-003000		
6	7,6	7,62	10,1	67	126-XX-306-41-001000	126-XX-306-41-002000	126-XX-306-41-003000		
8	10,1	7,62	10,1	50	126-XX-308-41-001000	126-XX-308-41-002000	126-XX-308-41-003000		
10	12,6	7,62	10,1	40	126-XX-310-41-001000	126-XX-310-41-002000	126-XX-310-41-003000		
14	17,7	7,62	10,1	28	126-XX-314-41-001000	126-XX-314-41-002000	126-XX-314-41-003000		
16	20,3	7,62	10,1	25	126-XX-316-41-001000	126-XX-316-41-002000	126-XX-316-41-003000		
18	22,8	7,62	10,1	22	126-XX-318-41-001000	126-XX-318-41-002000	126-XX-318-41-003000		
20	25,3	7,62	10,1	20	126-XX-320-41-001000	126-XX-320-41-002000	126-XX-320-41-003000		
22	27,8	7,62	10,1	18	126-XX-322-41-001000	126-XX-322-41-002000	126-XX-322-41-003000		
24	30,4	7,62	10,1	16	126-XX-324-41-001000	126-XX-324-41-002000	126-XX-324-41-003000		
28	35,5	7,62	10,1	14	126-XX-328-41-001000	126-XX-328-41-002000	126-XX-328-41-003000		
20	25,4	10,16	12,7	20	126-XX-420-41-001000	126-XX-420-41-002000	126-XX-420-41-003000		
22	27,8	10,16	12,7	18	126-XX-422-41-001000	126-XX-422-41-002000	126-XX-422-41-003000		
24	30,4	10,16	12,7	16	126-XX-424-41-001000	126-XX-424-41-002000	126-XX-424-41-003000		
28	35,5	10,16	12,7	14	126-XX-428-41-001000	126-XX-428-41-002000	126-XX-428-41-003000		
32	40,6	10,16	12,7	12	126-XX-432-41-001000	126-XX-432-41-002000	126-XX-432-41-003000		
24	30,4	15,24	17,7	16	126-XX-624-41-001000	126-XX-624-41-002000	126-XX-624-41-003000		
28	35,5	15,24	17,7	14	126-XX-628-41-001000	126-XX-628-41-002000	126-XX-628-41-003000		
32	40,6	15,24	17,7	12	126-XX-632-41-001000	126-XX-632-41-002000	126-XX-632-41-003000		
36	45,7	15,24	17,7	11	126-XX-636-41-001000	126-XX-636-41-002000	126-XX-636-41-003000		
40	50,8	15,24	17,7	10	126-XX-640-41-001000	126-XX-640-41-002000	126-XX-640-41-003000		
42	53,3	15,24	17,7	9	126-XX-642-41-001000	126-XX-642-41-002000	126-XX-642-41-003000		
48	60,9	15,24	17,7	8	126-XX-648-41-001000	126-XX-648-41-002000	126-XX-648-41-003000		
50	63,5	15,24	17,7	8	126-XX-650-41-001000	126-XX-650-41-002000	126-XX-650-41-003000		
52	66,0	15,24	17,7	7	126-XX-652-41-001000	126-XX-652-41-002000	126-XX-652-41-003000		
50	63,5	22,86	25,3	8	126-XX-950-41-001000	126-XX-950-41-002000	126-XX-950-41-003000		
52	66,0	22,86	25,3	7	126-XX-952-41-001000	126-XX-952-41-002000	126-XX-952-41-003000		
64	81,2	22,86	25,3	6	126-XX-964-41-001000	126-XX-964-41-002000	126-XX-964-41-003000		
SPECIFY PLATING CODE XX =					91	93	41 ◆	43 ◆	 XX=Plating Code See to Left
Sleeve (Pin)					5,08µm Sn/Pb	5,08µm Sn/Pb	5,08µm Sn	5,08µm Sn	
Contact (Clip)					0,25µm Au	0,76µm Au	0,25µm Au	0,76µm Au	