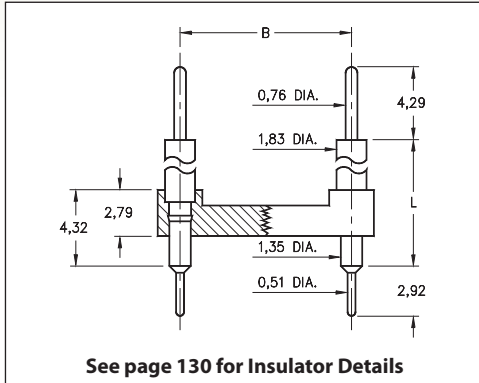


# DUAL-IN-LINE HEADERS

## SERIES 134 • INTERCONNECT • OPEN FRAME



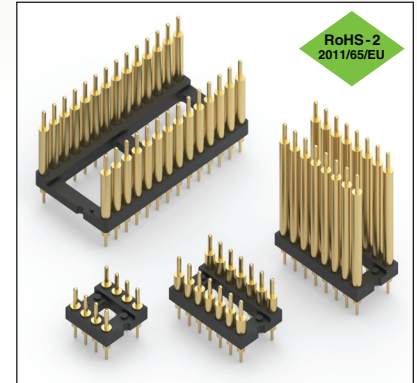
- Series 134 DIL Headers combine 0,76 diameter pins with pluggable 0,51 diameter solder tails


- Series:
  - 134...020 uses MM #3402 pins
  - 134...010 uses MM #3401 pins
  - 134...050 uses MM #3405 pins
  - 134...000 uses MM #3400 pins
  - 134...100 uses MM #3410 pins

See page 215 for details

- Insulators are high temperature thermoplastic, suitable for all soldering operations

- For Electrical, Mechanical and Environmental Data, see page 264 for details



Total number of pins	Pin Spacing			Quantity per tube	ORDERING INFORMATION					
	A	B	C		L = 4,83	L = 5,99	L = 8,0	L = 15,37	L = 27,18	
10	12,6	5,08	7,6	41	134-10-210-00-020000	134-10-210-00-010000	134-10-210-00-050000	134-10-210-00-000000	134-10-210-00-100000	
4	5,0	7,62	10,1	102	134-10-304-00-020000	134-10-304-00-010000	134-10-304-00-050000	134-10-304-00-000000	134-10-304-00-100000	
6	7,6	7,62	10,1	67	134-10-306-00-020000	134-10-306-00-010000	134-10-306-00-050000	134-10-306-00-000000	134-10-306-00-100000	
8	10,1	7,62	10,1	50	134-10-308-00-020000	134-10-308-00-010000	134-10-308-00-050000	134-10-308-00-000000	134-10-308-00-100000	
10	12,6	7,62	10,1	40	134-10-310-00-020000	134-10-310-00-010000	134-10-310-00-050000	134-10-310-00-000000	134-10-310-00-100000	
14	17,7	7,62	10,1	28	134-10-314-00-020000	134-10-314-00-010000	134-10-314-00-050000	134-10-314-00-000000	134-10-314-00-100000	
16	20,3	7,62	10,1	25	134-10-316-00-020000	134-10-316-00-010000	134-10-316-00-050000	134-10-316-00-000000	134-10-316-00-100000	
18	22,8	7,62	10,1	22	134-10-318-00-020000	134-10-318-00-010000	134-10-318-00-050000	134-10-318-00-000000	134-10-318-00-100000	
20	25,3	7,62	10,1	20	134-10-320-00-020000	134-10-320-00-010000	134-10-320-00-050000	134-10-320-00-000000	134-10-320-00-100000	
22	27,8	7,62	10,1	18	134-10-322-00-020000	134-10-322-00-010000	134-10-322-00-050000	134-10-322-00-000000	134-10-322-00-100000	
24	30,4	7,62	10,1	16	134-10-324-00-020000	134-10-324-00-010000	134-10-324-00-050000	134-10-324-00-000000	134-10-324-00-100000	
28	35,5	7,62	10,1	14	134-10-328-00-020000	134-10-328-00-010000	134-10-328-00-050000	134-10-328-00-000000	134-10-328-00-100000	
20	25,4	10,16	12,7	20	134-10-420-00-020000	134-10-420-00-010000	134-10-420-00-050000	134-10-420-00-000000	134-10-420-00-100000	
22	27,8	10,16	12,7	18	134-10-422-00-020000	134-10-422-00-010000	134-10-422-00-050000	134-10-422-00-000000	134-10-422-00-100000	
24	30,4	10,16	12,7	16	134-10-424-00-020000	134-10-424-00-010000	134-10-424-00-050000	134-10-424-00-000000	134-10-424-00-100000	
28	35,5	10,16	12,7	14	134-10-428-00-020000	134-10-428-00-010000	134-10-428-00-050000	134-10-428-00-000000	134-10-428-00-100000	
32	40,6	10,16	12,7	12	134-10-432-00-020000	134-10-432-00-010000	134-10-432-00-050000	134-10-432-00-000000	134-10-432-00-100000	
24	30,4	15,24	17,7	16	134-10-624-00-020000	134-10-624-00-010000	134-10-624-00-050000	134-10-624-00-000000	134-10-624-00-100000	
28	35,5	15,24	17,7	14	134-10-628-00-020000	134-10-628-00-010000	134-10-628-00-050000	134-10-628-00-000000	134-10-628-00-100000	
32	40,6	15,24	17,7	12	134-10-632-00-020000	134-10-632-00-010000	134-10-632-00-050000	134-10-632-00-000000	134-10-632-00-100000	
36	45,7	15,24	17,7	11	134-10-636-00-020000	134-10-636-00-010000	134-10-636-00-050000	134-10-636-00-000000	134-10-636-00-100000	
40	50,8	15,24	17,7	10	134-10-640-00-020000	134-10-640-00-010000	134-10-640-00-050000	134-10-640-00-000000	134-10-640-00-100000	
42	53,3	15,24	17,7	9	134-10-642-00-020000	134-10-642-00-010000	134-10-642-00-050000	134-10-642-00-000000	134-10-642-00-100000	
48	60,9	15,24	17,7	8	134-10-648-00-020000	134-10-648-00-010000	134-10-648-00-050000	134-10-648-00-000000	134-10-648-00-100000	
50	63,5	15,24	17,7	8	134-10-650-00-020000	134-10-650-00-010000	134-10-650-00-050000	134-10-650-00-000000	134-10-650-00-100000	
52	66,0	15,24	17,7	7	134-10-652-00-020000	134-10-652-00-010000	134-10-652-00-050000	134-10-652-00-000000	134-10-652-00-100000	
50	63,5	22,86	25,3	8	134-10-950-00-020000	134-10-950-00-010000	134-10-950-00-050000	134-10-950-00-000000	134-10-950-00-100000	
52	66,0	22,86	25,3	7	134-10-952-00-020000	134-10-952-00-010000	134-10-952-00-050000	134-10-952-00-000000	134-10-952-00-100000	
64	81,2	22,86	25,3	6	134-10-964-00-020000	134-10-964-00-010000	134-10-964-00-050000	134-10-964-00-000000	134-10-964-00-100000	
XX=Plating Code See to Right					SPECIFY PLATING CODE XX =		10			
					Pin Plating 		0,25µm Au			