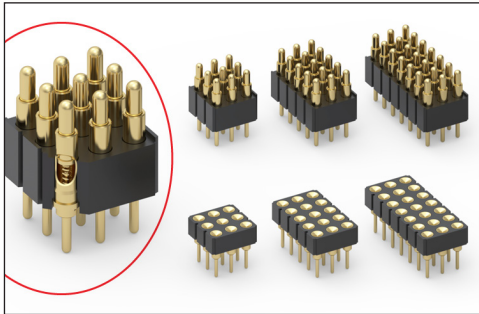


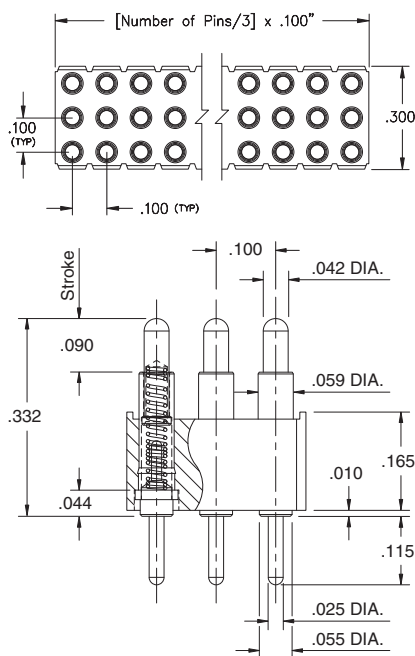
SPRING-LOADED CONNECTORS

SERIES 804 & 805 • .100" GRID THROUGH-HOLE MOUNT • LONG STROKE TRIPLE ROW STRIPS AND MATING TARGET CONNECTORS

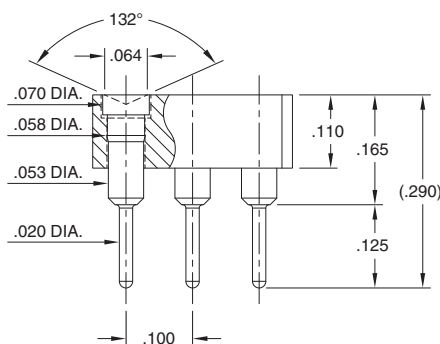


- Modular contacts for use on .100" grid, supplied in triple row contact strips
- Precision-machined piston / base and gold-plated components assure up to 1,000,000 cycle life durability
- Spring pins have a .045" mid. stroke and a .090" max. stroke
- Low resistance, high current contacts are rated at 2 amps continuous, 3 amps peak
- 804 & 805 series High temperature thermoplastic insulators are suitable for wave and reflow processes
- 804 series contact strips are designed for manual placement into $\varnothing .030 \pm .003$ " plated through-holes in the circuit board prior to hand, wave or reflow soldering
- 805 series Target Connectors provide an excellent gold-plated conductive mating surface for spring loaded connectors. This series is offered with a concave face for making contact with our standard .042" dia. spring pin plungers

TRIPLE ROW Series 804



TRIPLE ROW Series 805



ORDERING INFORMATION

Triple Row Series 804

804-22-0XX-10-004101

Specify number of contacts 09-96

Triple Row Mating Target Series 805

805-10-0XX-00-006000

Specify number of contacts 09-96

Technical Specifications for 804 Series

Materials:

Contact piston & base: Machined copper alloy plated 20 μ " gold over 100 μ " nickel
 Spring: Beryllium copper-plated 10 μ " gold
 Insulator: High temperature thermoplastic, rated UL94 V-0

Mechanical:

Spring force @ initial height: 25 grams
 Spring force @ mid stroke (.045"): 60 grams
 Durability: Up to 1,000,000 cycles

Electrical:

Voltage rating: 100Vrms/150Vdc
 Current rating: 2A (continuous), 3A (peak) per contact
 Contact resistance: 20m Ω max.
 Insulation resistance: 10,000M Ω min.
 Dielectric strength: 700Vrms min.
 Capacitance: 1pF max.

RoHS - 2
2011/65/EU

