

INTERCONNECTS

SERIES 311 & 411 • .100" GRID LONG SOLDER TAIL • SINGLE AND DOUBLE ROW STRIPS

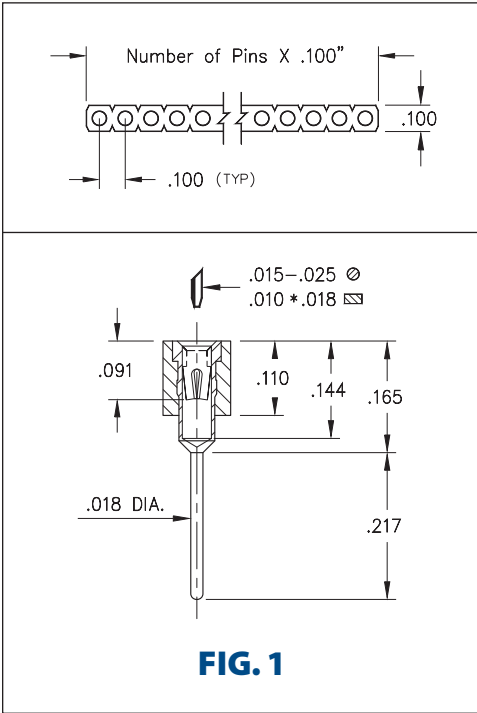


FIG. 1

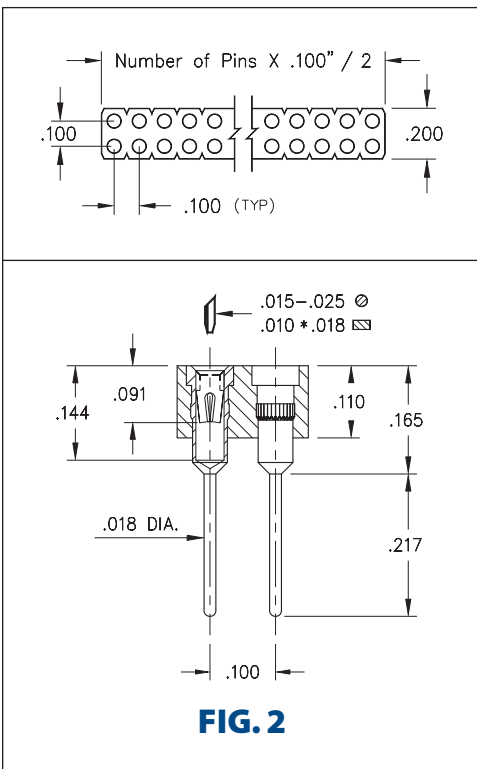
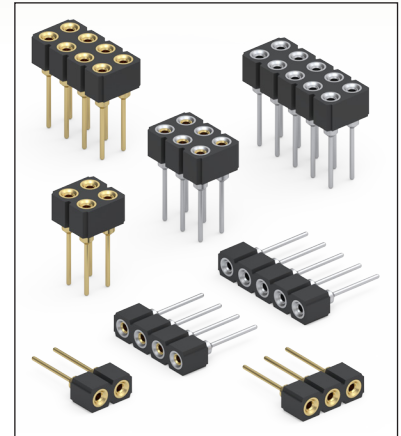


FIG. 2

- SIP sockets accept .015" - .025" diameter pins and standard IC leads. Longer lead length for soldering to multi-layer boards
- Series 311 & 411 use MM #1103 pins. See page 166 for details
- Hi-Rel, 4-finger BeCu #30 contact is rated at 3 amps. See page 253 for details
- Insulators are high temperature thermoplastic, suitable for all soldering operations



ORDERING INFORMATION

FIG. 1	Series 311...003	Single Row Long Solder Tail
	311-XX-1	-41-003000 ↑ 01-64
FIG. 2	Series 411...003	Double Row Long Solder Tail
	411-XX-2	-41-003000 ↑ 04-64



XX=Plating Code
See Below

For
Electrical, Mechanical
& Environmental Data,
See page 264

SPECIFY PLATING CODE XX=	13	93	99	43	44	47
Sleeve (Pin)	10 μ" Au	200 μ" Sn/Pb	200 μ" Sn/Pb	200 μ" Sn	200 μ" Sn	200 μ" Sn
Contact (Clip)	30 μ" Au	30 μ" Au	100 μ" Sn/Pb	30 μ" Au	100 μ" Sn	Au Flash

