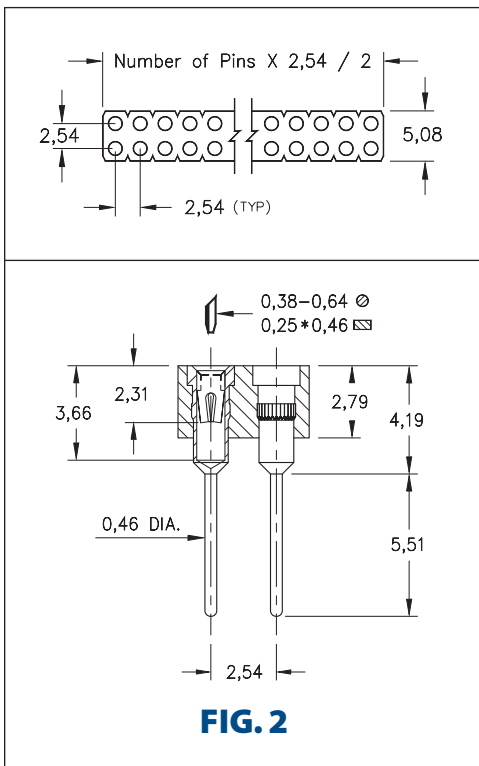
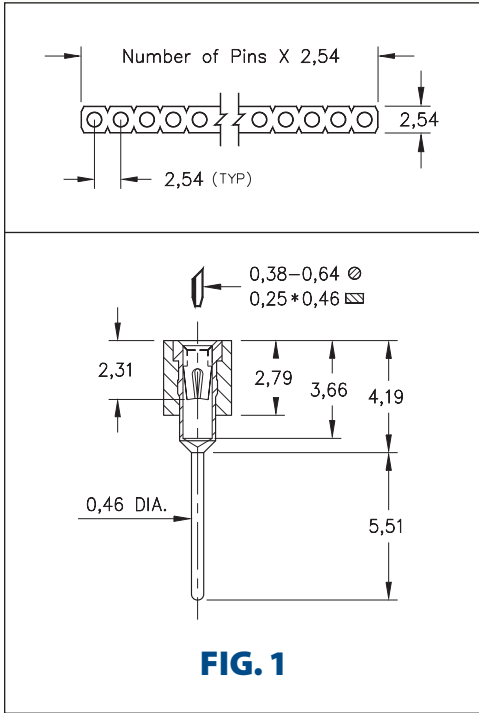
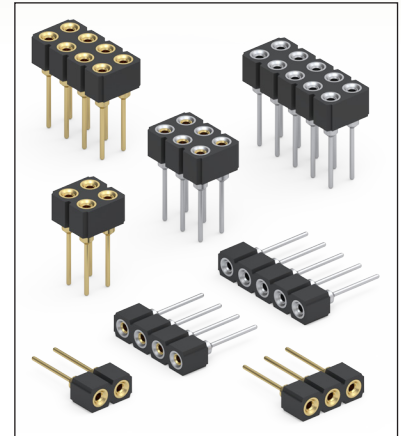


INTERCONNECTS

SERIES 311 & 411 • 2,54 GRID LONG SOLDER TAIL • SINGLE AND DOUBLE ROW STRIPS



- SIP sockets accept 0,38 - 0,64 diameter pins and standard IC leads. Longer lead length for soldering to multi-layer boards
- Series 311 & 411 use MM #1103 pins. See page 166 for details
- Hi-Rel, 4-finger BeCu #30 contact is rated at 3 amps. See page 253 for details
- Insulators are high temperature thermoplastic, suitable for all soldering operations



ORDERING INFORMATION

FIG. 1	Series 311...003	Single Row Long Solder Tail
	Specify number of pins	311-XX-1__-41-003000 01-64
FIG. 2	Series 411...003	Double Row Long Solder Tail
	Specify number of pins	411-XX-2__-41-003000 04-64



XX=Plating Code
See Below

For
Electrical, Mechanical
& Environmental Data,
See page 264

SPECIFY PLATING CODE XX=	13	93	99	43	44	47
Sleeve (Pin)	0,25µm Au	5,08µm Sn/Pb	5,08µm Sn/Pb	5,08µm Sn	5,08µm Sn	5,08µm Sn
Contact (Clip)	0,76µm Au	0,76µm Au	2,54µm Sn/Pb	0,76µm Au	2,54µm Sn	Au Flash

