

INTERCONNECTS

**SERIES 349, 449, 800, 801, 802, 803 • .100" GRID (.030" DIA. PINS),
SURFACE MOUNT HEADERS & SOCKETS • SINGLE AND DOUBLE ROW STRIPS**

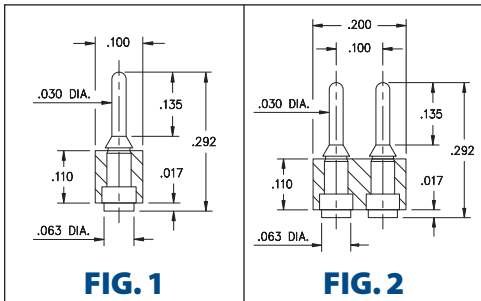


FIG. 1

FIG. 2

Coplanarity .005" For pin counts >20 positions, consult Technical Support.

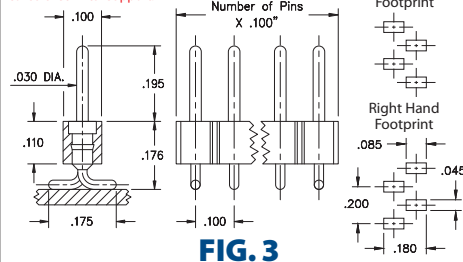


FIG. 3

Coplanarity .005" For pin counts >20 positions, consult Technical Support.

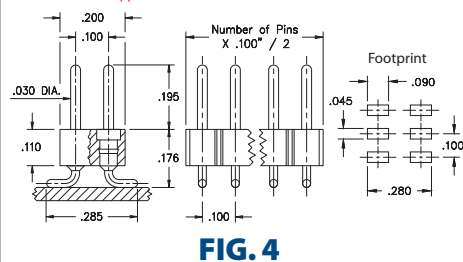


FIG. 4

Coplanarity .005" For pin counts >20 positions, consult Technical Support.

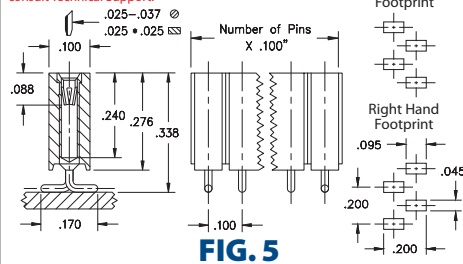


FIG. 5

Coplanarity .005" For pin counts >20 positions, consult Technical Support.

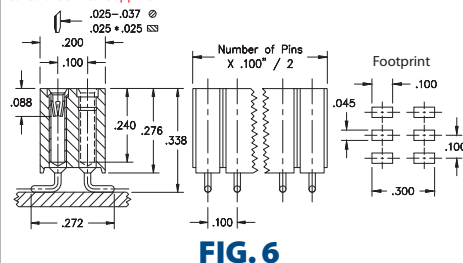
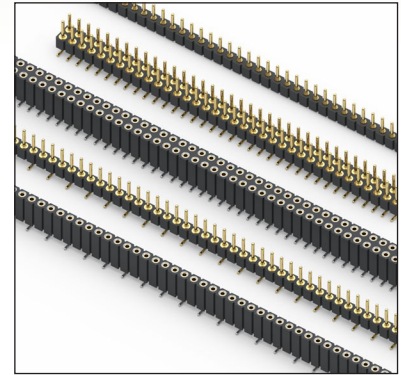


FIG. 6

- Series 349 & 449 use MM #4956-1 pins. See page 218 for details
- Series 800 & 802 use MM #7007 pins. See page 215 for details
- Series 801 & 803 use MM #1304 receptacles and accept pin diameters from .025"-.037" and .025" square pins. See page 177 for details
- Receptacles use Hi-Rel, 6-finger BeCu #47 contact rated at 4.5 amps. See page 256 for details
- Insulators are high temperature thermoplastic, suitable for all soldering operations



ORDERING INFORMATION

| | | | | | |
|---------------------------------|-------------------------|--|------------------------|--|-----------|
| FIG. 1 | Series 349...560 | Single Row Surface Mount Header | | | |
| | | 349-10-1-__-00-560000 | Specify number of pins | 02-64 | |
| FIG. 2 | Series 449...560 | Double Row Surface Mount Header | | | |
| | | 449-10-2-__-00-560000 | Specify number of pins | 04-64 | |
| FIG. 3 | Series 800...001 | Single Row Surface Mount Header | | | |
| | | 800-10-0-__-30-001000 | Specify number of pins | 03-64 | |
| FIG. 4 | Series 802...001 | Double Row Surface Mount Header | | | |
| | | 802-10-0-__-30-001000 | Specify number of pins | 04-72 | |
| SPECIFY PLATING CODE XX= | | 10 | | | |
| Pin Plating | | 10 μ" Au | | | |
| FIG. 5 | Series 801...001 | Single Row Surface Mount Socket | | | |
| | | 801-43-0-__-30-001000 | Specify number of pins | 03-50 | |
| FIG. 6 | Series 803...001 | Double Row Surface Mount Socket | | | |
| | | 803-XX-__-30-001000 | Specify number of pins | 004-100 | |
| | | XX=Plating Code See Below | | For Electrical, Mechanical & Environmental Data, See page 264 | |
| SPECIFY PLATING CODE XX= | | | 93 | | 43 |
| Sleeve (Pin) | | | 200 μ" Sn/Pb | | 200 μ" Sn |
| Contact (Clip) | | | 30 μ" Au | | 30 μ" Au |