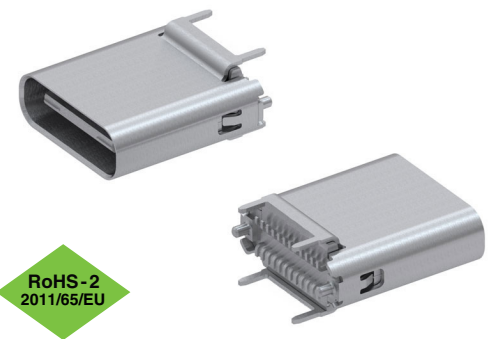
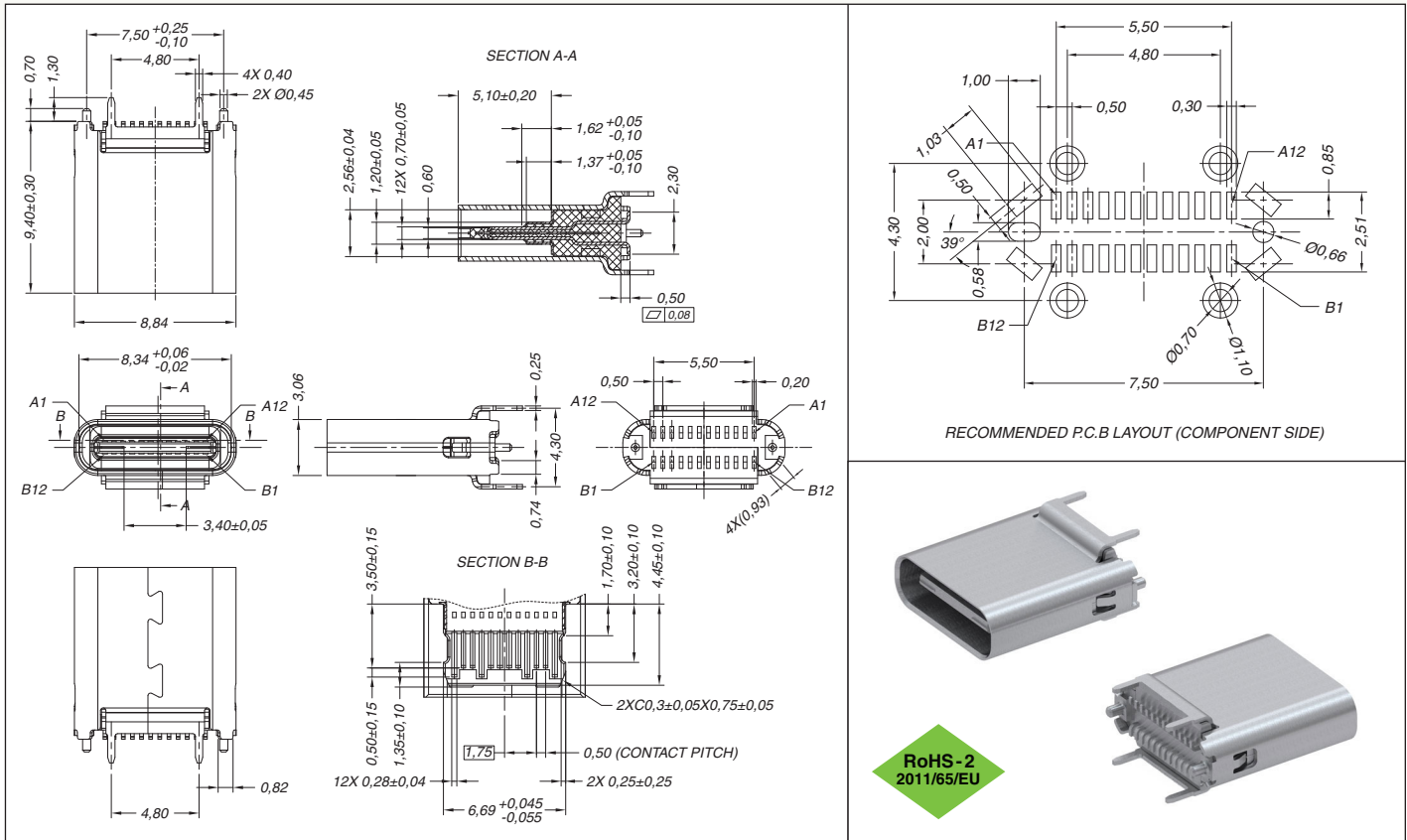


SERIES 898 • UNIVERSAL SERIAL BUS 3.1 TYPE C • VERTICAL SURFACE MOUNT



Technical Specifications

Materials:

Terminals: Copper Alloy, Tin-Plated
 Contacts: Copper Alloy, 30 μ" Gold-Plated
 Casing and Shield: Stainless Steel
 Insulator material: High temperature thermoplastic rated UL94V-0

General Specifications:

Temperature Range:
 Operating: -40°C to +85°C
 Nominal: +20°C

Electrical:

Voltage: 50VAC (rms)
 LLCR: 40mΩ max. (initial), Δ10mΩ (Test cond. 20mV, 100mA)
 Dielectric Strength: 100VAC
 Insulation resistance: 100MΩ min.
 Current Rating: 5A for VBUS pin, 1.25A for VCONN pin

Mechanical:

Durability: 10,000 cycles
 Insertion force: 5-20 Newtons
 Extraction force: 8-20 Newtons after test

ORDERING INFORMATION

Vertical Surface Mount Type C Receptacle

898-43-024-00-310002

(Packaged in trays: 100 pieces per tray)

- USB 3.1 Vertical Surface mount, Type C
- Full metal housing with enhanced EMI/RFI prevention
- Reversible USB Type C Connector
- 10Gbps Data rate
- 2X faster than USB 3.0 with more efficient data transfer, higher through-put & improved I/O power efficiency
- For Storage, Smartphone, Tablet, Notebook, Docking, Automotive and Home Entertainment