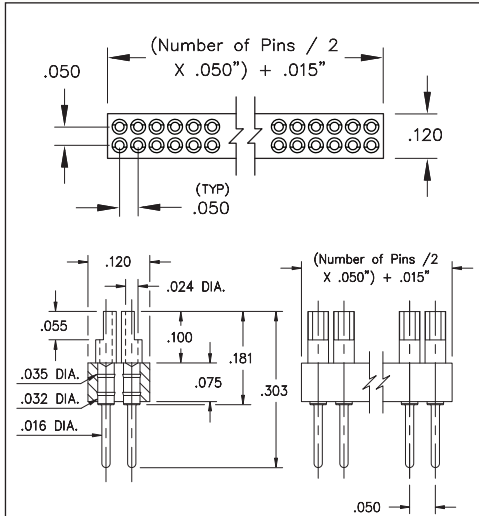
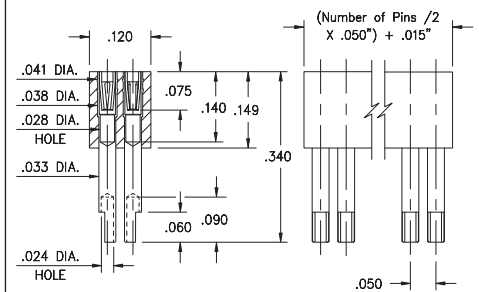


# INTERCONNECTS

## SERIES 852 & 853 • .050" GRID SOLDER CUP HEADERS AND SOCKETS, DOUBLE ROW STRIPS

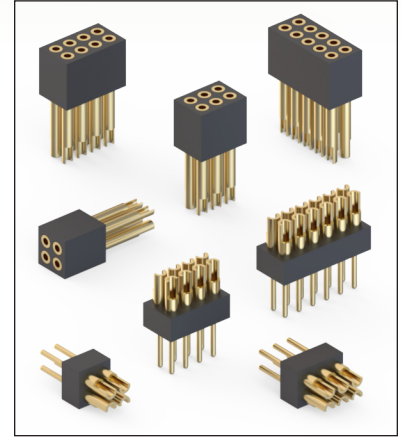


**FIG. 1**



**FIG. 2**

- Solder cups are pre-aligned and accept up to 26 AWG wire
- Series 852 headers use MM #3050-0 pins. See page 244 for details
- Series 853 sockets use MM #1157-0 receptacles that accept pin diameters from .015"-.020". See page 160 for details
- Receptacles use Hi-Rel, 3-finger BeCu #11 contact rated at 3 amps. See page 251 for details
- Insulators are high temperature thermoplastic, suitable for all soldering operations



### ORDERING INFORMATION

<b>FIG. 1</b>	<b>Series 852...003</b>	<b>Double Row Solder Cup / Solder Tail</b>			
		852-XX-__-10-003000			
		Specify number of pins	↑ 002-100		
		<b>XX=Plating Code</b> See Below	For Electrical, Mechanical & Environmental Data, See page 264		
	<b>SPECIFY PLATING CODE XX=</b>	10			
	Pin Plating	10 μ" Au			

<b>FIG. 2</b>	<b>Series 853...003</b>	<b>Double Row Solder Cup Sockets</b>			
		853-XX-__-10-003000			
		Specify number of pins	↑ 002-100		
		<b>XX=Plating Code</b> See Below	For Electrical, Mechanical & Environmental Data, See page 264		
	<b>SPECIFY PLATING CODE XX=</b>	13			
	Sleeve (Pin)	10 μ" Au			
	Contact (Clip)	30 μ" Au			

