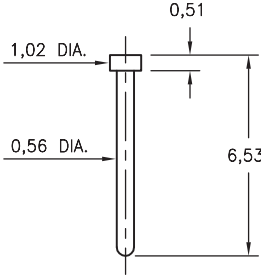
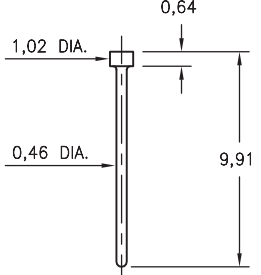
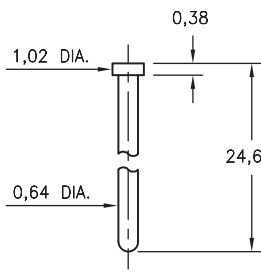
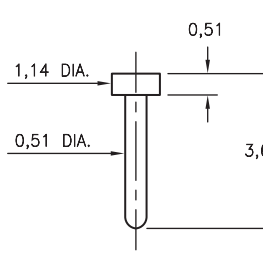
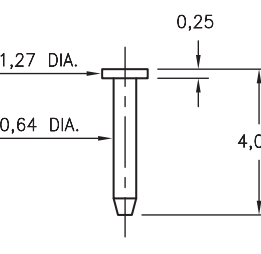
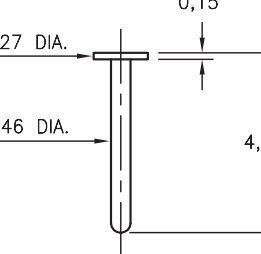
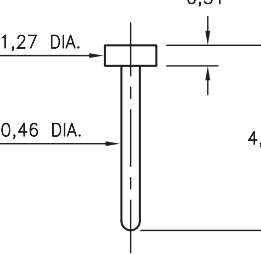
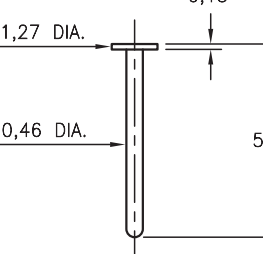
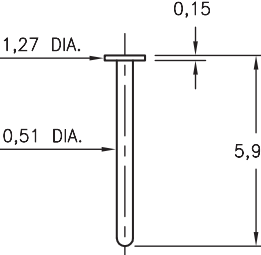
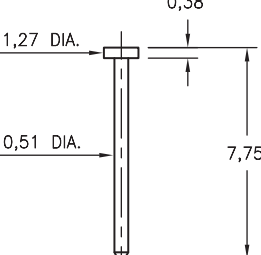
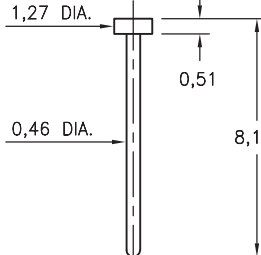
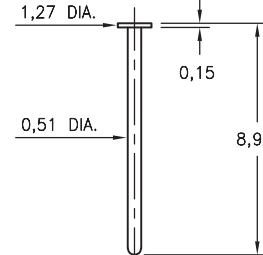


# MALE PCB PINS

## PRINTED CIRCUIT PINS • NAIL HEAD TYPE

<p><b>8257</b> 8257-0-00-XX-00-00-33-0 Solder mount in 0,66 mounting hole</p> 	<p><b>4209</b> 4209-0-00-XX-00-00-33-0 Solder mount in 0,56 mounting hole</p> 	<p><b>8451</b> 8451-0-00-XX-00-00-33-0 Solder mount in 0,74 mounting hole</p> 	<p><b>5058</b> 5058-0-00-XX-00-00-03-0 Solder mount in 0,61 mounting hole</p> 
<p><b>5035</b> 5035-0-00-XX-00-00-33-0 Solder mount in 0,74 mounting hole</p> 	<p><b>9113</b> 9113-0-00-XX-00-00-38-0 Solder mount in 0,56 mounting hole</p> 	<p><b>9137</b> 9137-0-00-XX-00-00-38-0 Solder mount in 0,56 mounting hole</p> 	<p><b>7113</b> XXXX-0-00-XX-00-00-03-0 Solder mount in 0,56 mounting hole</p> 
<p><b>4965</b> 4965-0-00-XX-00-00-33-0 Solder mount in 0,61 mounting hole</p> 	<p><b>4071</b> 4071-0-00-XX-00-00-33-0 Solder mount in 0,61 mounting hole</p> 	<p><b>5137</b> 5137-0-00-XX-00-00-38-0 Solder mount in 0,56 mounting hole</p> 	<p><b>4964</b> 4964-0-00-XX-00-00-33-0 Solder mount in 0,61 mounting hole</p> 

### SPECIFICATIONS:

**Pin Material:** Brass Alloy 360, 1/2 Hard  
(Except where noted)

**Dimensions:** Millimeters

**Tolerances On:** Lengths:  $\pm 0,13$   
Diameters:  $\pm 0,051$   
Angles:  $\pm 2^\circ$



**ORDER CODE:** XXXX - X - 00 - XX - 00 - 00 - XX - 0

**BASIC PART #** →

→ **SPECIFY PIN FINISH:**

- 01** 5,08 $\mu$ m TIN/LEAD OVER NICKEL
- ◆ **80** 5,08 $\mu$ m TIN OVER NICKEL (RoHS)
- ◆ **15** 0,25 $\mu$ m GOLD OVER NICKEL (RoHS)
- ◆ **21** 0,51 $\mu$ m GOLD OVER NICKEL (RoHS)
- ◆ **34** 1,27 $\mu$ m GOLD OVER NICKEL (RoHS)

