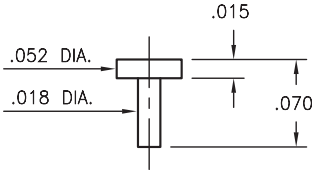
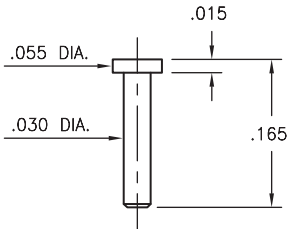
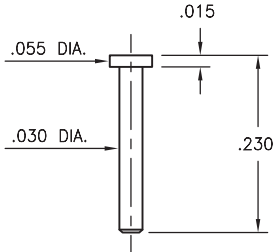
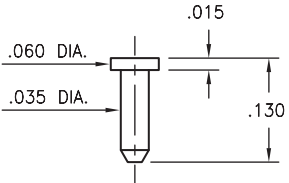
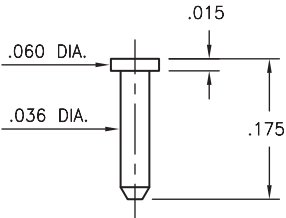
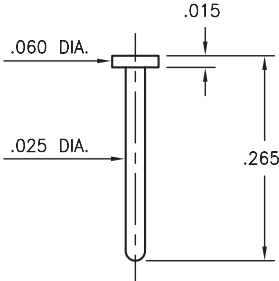
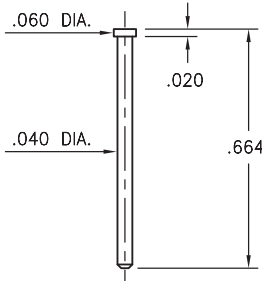
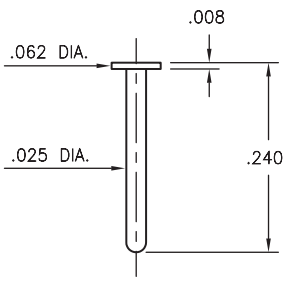
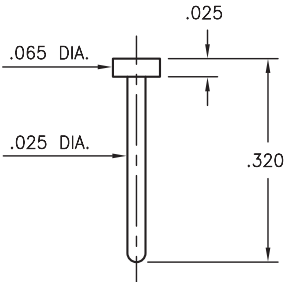
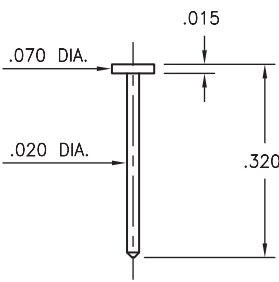
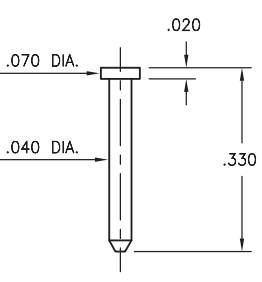
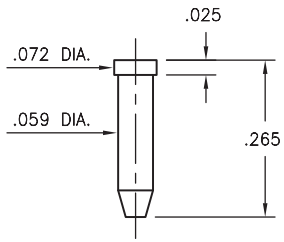


# MALE PCB PINS

## PRINTED CIRCUIT PINS • NAIL HEAD TYPE

<p><b>4361</b> 4361-0-00-XX-00-00-33-0 Solder mount in .022 mounting hole</p> 	<p><b>6477</b> 6477-0-00-XX-00-00-38-0 Solder mount in .034 mounting hole</p> 	<p><b>4477</b> 4477-0-00-XX-00-00-33-0 Solder mount in .034 mounting hole Also available on 24mm wide carrier tape: 1,300 parts per 13" reel. See page 224.1 for Tape &amp; Reel details</p> 	<p><b>4268</b> 4268-0-00-XX-00-00-33-0 Solder mount in .039 mounting hole</p> 
<p><b>9086</b> 9086-0-00-XX-00-00-33-0 Solder mount in .040 mounting hole</p> 	<p><b>5850</b> 5850-0-00-XX-00-00-03-0 Solder mount in .029 mounting hole</p> 	<p><b>1179</b> 1179-0-00-XX-00-00-33-0 Solder mount in .044 mounting hole</p> 	<p><b>5240</b> 5240-0-00-XX-00-00-33-0 Solder mount in .029 mounting hole</p> 
<p><b>6170</b> 6170-0-00-XX-00-00-03-0 Solder mount in .029 mounting hole</p> 	<p><b>8808</b> 8808-0-00-XX-00-00-33-0 Solder mount in .024 mounting hole</p> 	<p><b>8330</b> 8330-0-00-XX-00-00-38-0 Solder mount in .044 mounting hole</p> 	<p><b>9265</b> 9265-0-00-XX-00-00-38-0 Solder mount in .063 mounting hole Also available on 16mm wide carrier tape: 1,170 parts per 13" reel. See page 224.2 for Tape &amp; Reel details</p> 

### SPECIFICATIONS:

**Pin Material:** Brass Alloy 360, 1/2 Hard  
(Except where noted)

**Dimensions:** Inches

**Tolerances On:** Lengths:  $\pm .005$   
Diameters:  $\pm .002$   
Angles:  $\pm 2^\circ$



**ORDER CODE:** XXXX - X - 00 - XX - 00 - 00 - XX - 0

**BASIC PART #** →

**SPECIFY PIN FINISH:**

- 01 200  $\mu$ m TIN/LEAD OVER NICKEL
- ◆ 80 200  $\mu$ m TIN OVER NICKEL (RoHS)
- ◆ 15 10  $\mu$ m GOLD OVER NICKEL (RoHS)
- ◆ 21 20  $\mu$ m GOLD OVER NICKEL (RoHS)
- ◆ 34 50  $\mu$ m GOLD OVER NICKEL (RoHS)

