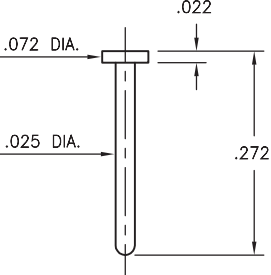
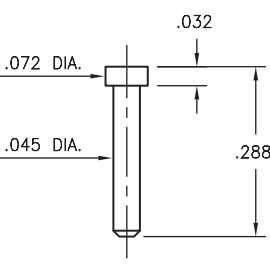
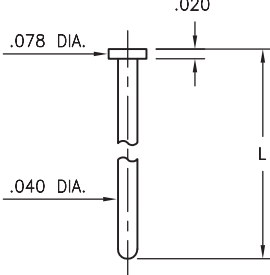
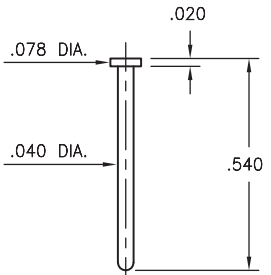
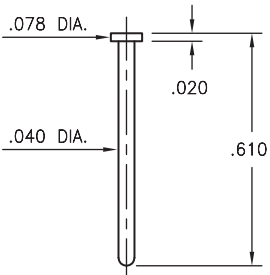
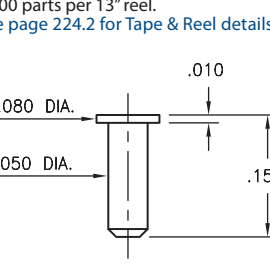
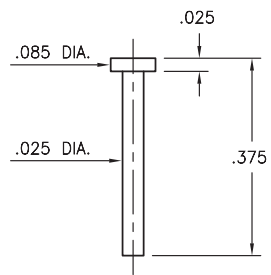
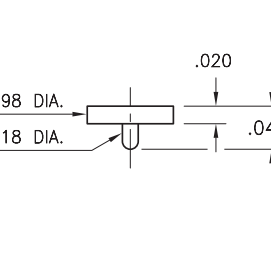
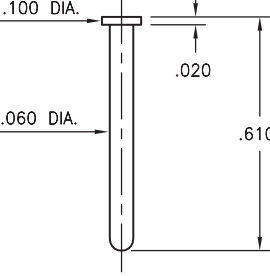
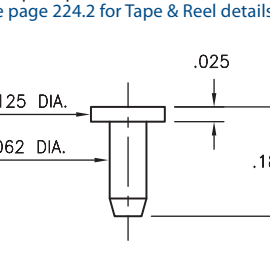


MALE PCB PINS

PRINTED CIRCUIT PINS • NAIL HEAD TYPE

<p>2650 2650-0-00-XX-00-00-33-0 Solder mount in .029 mounting hole</p> 	<p>9872 9872-0-00-XX-00-00-33-0 Solder mount in .049 mounting hole</p> 	<p>6095 6095-X-00-XX-00-00-38-0 Solder mount in .044 mounting hole</p> 	<table border="1"> <thead> <tr> <th>Basic Part Number</th> <th>Length L</th> </tr> </thead> <tbody> <tr> <td>6095-0</td> <td>.580</td> </tr> <tr> <td>6095-1</td> <td>.475</td> </tr> </tbody> </table>	Basic Part Number	Length L	6095-0	.580	6095-1	.475
Basic Part Number	Length L								
6095-0	.580								
6095-1	.475								
<p>9228 9228-0-00-XX-00-00-38-0 Solder mount in .044 mounting hole</p> 	<p>6092 6092-0-00-XX-00-00-33-0 Solder mount in .044 mounting hole</p> 	<p>2381 2381-0-00-XX-00-00-33-0 Solder mount in .054 mounting hole Also available on 16mm wide carrier tape: 1,800 parts per 13" reel. See page 224.2 for Tape & Reel details</p> 	<p>5062 5062-0-00-XX-00-00-33-0 Solder mount in .029 mounting hole</p> 						
<p>4541 4541-0-00-XX-00-00-03-0 Solder mount in .022 mounting hole</p> 	<p>6142 6142-0-00-XX-00-00-33-0 Solder mount in .064 mounting hole</p> 	<p>9022 9022-0-00-XX-00-00-33-0 Solder mount in .066 mounting hole Also available on 24mm wide carrier tape: 1,500 parts per 13" reel. See page 224.2 for Tape & Reel details</p> 							

SPECIFICATIONS:

Pin Material: Brass Alloy 360, 1/2 Hard
(Except where noted)

Dimensions: Inches

Tolerances On: Lengths: $\pm .005$
Diameters: $\pm .002$
Angles: $\pm 2^\circ$



ORDER CODE: XXXX - 0 - 00 - XX - 00 - 00 - XX - 0

BASIC PART #

SPECIFY PIN FINISH:

- 01 200 μ " TIN/LEAD OVER NICKEL
- ◆ 80 200 μ " TIN OVER NICKEL (RoHS)
- ◆ 15 10 μ " GOLD OVER NICKEL (RoHS)
- ◆ 21 20 μ " GOLD OVER NICKEL (RoHS)
- ◆ 34 50 μ " GOLD OVER NICKEL (RoHS)

