

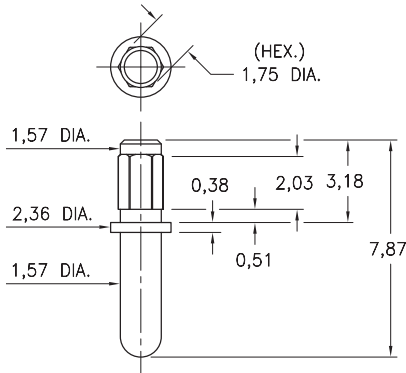
# MALE PCB PINS

## PRINTED CIRCUIT PINS

### 3975

**3975-0-00-XX-00-00-03-0**

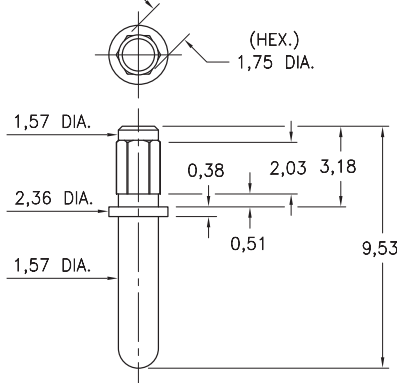
Solderless press-fit pin for plated through-hole  
Recommended drilled hole size: (1,78mm) .070"



### 3977

**3977-0-00-XX-00-00-03-0**

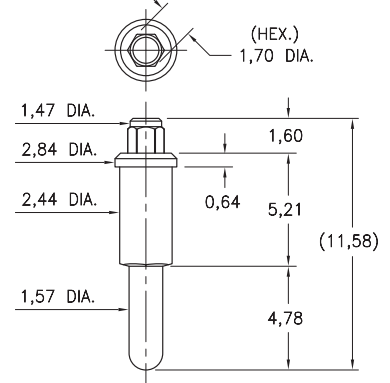
Solderless press-fit pin for plated through-hole  
Recommended drilled hole size: (1,78mm) .070"



### 4427

**4427-0-00-XX-00-00-03-0**

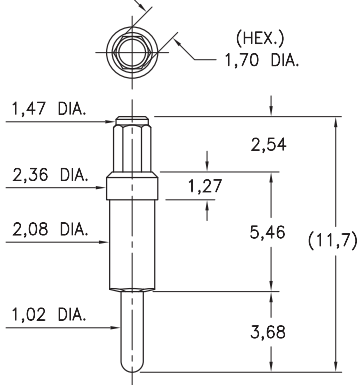
Solderless press-fit pin for plated through-hole  
Recommended drilled hole size: (1,73mm) .068"



### 7504

**7504-0-00-XX-00-00-03-0**

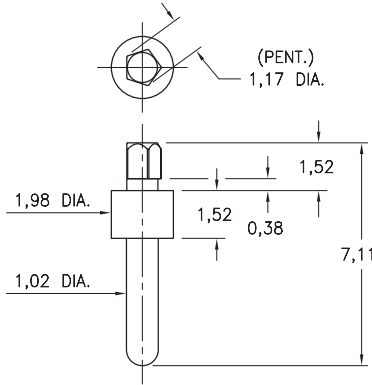
Solderless press-fit pin for plated through-hole  
Recommended drilled hole size: (1,73mm) .068"



### 9003

**9003-0-00-XX-00-00-03-0**

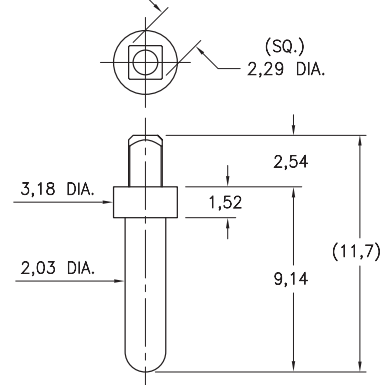
Solderless press-fit pin for plated through-hole  
Recommended drilled hole size: (1,19mm) .047"



### 6955

**6955-0-05-XX-00-00-03-0**

Solderless press-fit pin for plated through-hole  
Recommended drilled hole size: (2,31mm) .091"



Recommended drilled hole sizes are prior to plating of the PCB and based on typical copper deposition of .5 - 1 oz. This results in a reduction of hole size by approximately 0,038 - 0,076. Depending on surface plating, typical finished hole sizes are 0,076 - 0,127 smaller than drilled hole sizes. The finished hole size tolerance for press-fit applications should be specified as +/- 0,051

#### SPECIFICATIONS:

**Pin Material:** Brass Alloy 360, 1/2 Hard  
(Except where noted) \*

**Dimensions:** Millimeters

**Tolerances On:** Lengths: ± 0,13  
Diameters: ± 0,051  
Angles: ± 2°



**ORDER CODE:** XXXX - 0 - 0X - XX - 00 - 00 - XX - 0

**BASIC PART #** →

**SPECIFY PIN FINISH:**

- 01** 5,08µm TIN/LEAD OVER NICKEL
- ◆ **80** 5,08µm TIN OVER NICKEL (RoHS)
- ◆ **15** 0,25µm GOLD OVER NICKEL (RoHS)
- ◆ **21** 0,51µm GOLD OVER NICKEL (RoHS)
- ◆ **34** 1,27µm GOLD OVER NICKEL (RoHS)

