

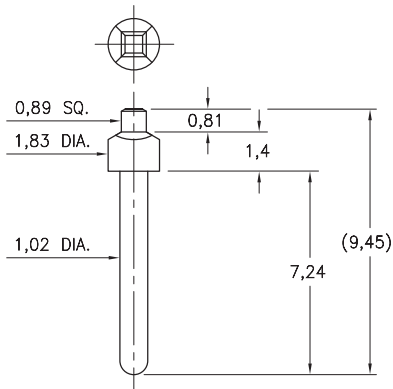
MALE PCB PINS

PRINTED CIRCUIT PINS

1655

1655-0-00-XX-00-00-03-0

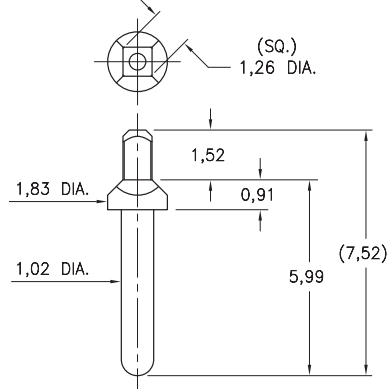
Solderless press-fit pin for plated through-hole
Recommended drilled hole size: (1,28mm) .0505"



4219

4219-0-05-XX-00-00-03-0

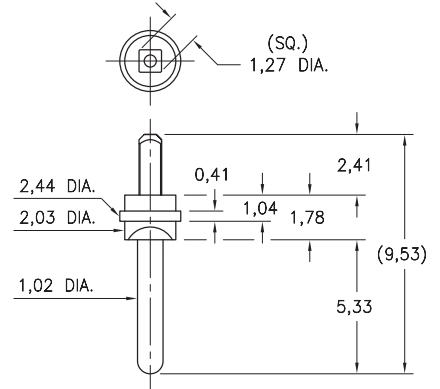
Solderless press-fit pin for plated through-hole
Recommended drilled hole size: (1,28mm) .0505"



5459

5459-0-00-XX-00-00-03-0

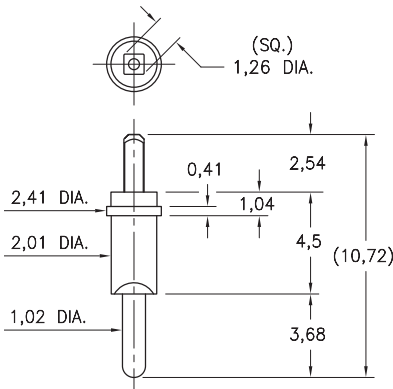
Solderless press-fit pin for plated through-hole
Recommended drilled hole size: (1,3mm) .051"



9061

9061-0-00-XX-00-00-03-0

Solderless press-fit pin for plated through-hole
Recommended drilled hole size: (1,28mm) .0505"



Recommended drilled hole sizes are prior to plating of the PCB and based on typical copper deposition of .5 - 1 oz. This results in a reduction of hole size by approximately 0,038 - 0,076. Depending on surface plating, typical finished hole sizes are 0,076 - 0,127 smaller than drilled hole sizes. The finished hole size tolerance for press-fit applications should be specified as +/- 0,051

SPECIFICATIONS:

Pin Material: Brass Alloy 360, 1/2 Hard
(Except where noted) *

Dimensions: Millimeters

Tolerances On: Lengths: $\pm 0,13$
Diameters: $\pm 0,051$
Angles: $\pm 2^\circ$



ORDER CODE: XXXX - 0 - 0X - XX - 00 - 00 - 03 - 0

BASIC PART # →

← **SPECIFY PIN FINISH:**

- 01** 5,08 μ m TIN/LEAD OVER NICKEL
- ◆ **80** 5,08 μ m TIN OVER NICKEL (RoHS)
- ◆ **15** 0,25 μ m GOLD OVER NICKEL (RoHS)
- ◆ **21** 0,51 μ m GOLD OVER NICKEL (RoHS)
- ◆ **34** 1,27 μ m GOLD OVER NICKEL (RoHS)