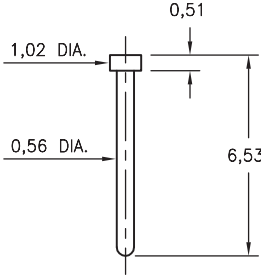
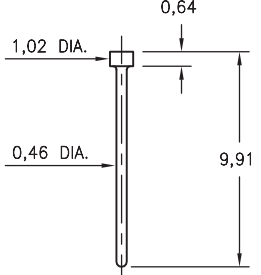
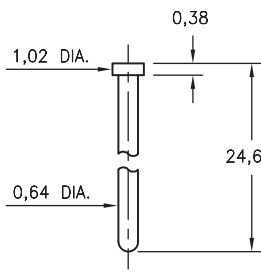
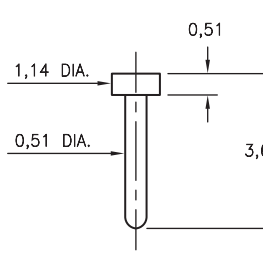
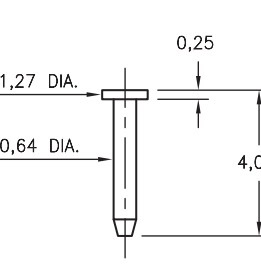
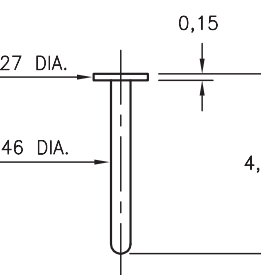
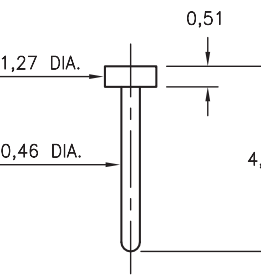
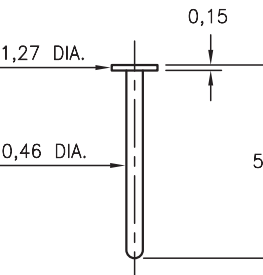
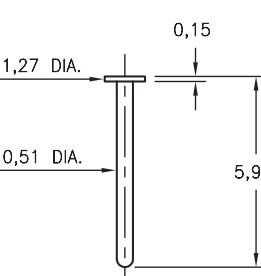
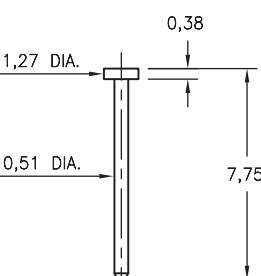
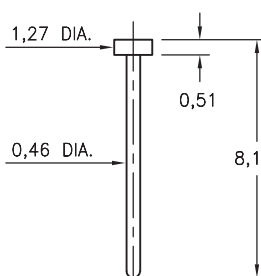
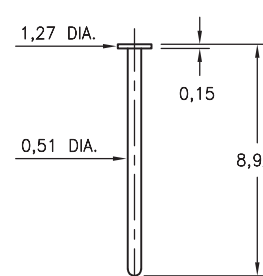


MALE PCB PINS

PRINTED CIRCUIT PINS • NAIL HEAD TYPE

<p>8257 8257-0-00-XX-00-00-33-0 Solder mount in 0,66 mounting hole</p> 	<p>4209 4209-0-00-XX-00-00-33-0 Solder mount in 0,56 mounting hole</p> 	<p>8451 8451-0-00-XX-00-00-33-0 Solder mount in 0,74 mounting hole</p> 	<p>5058 5058-0-00-XX-00-00-03-0 Solder mount in 0,61 mounting hole</p> 
<p>5035 5035-0-00-XX-00-00-33-0 Solder mount in 0,74 mounting hole</p> 	<p>9113 9113-0-00-XX-00-00-38-0 Solder mount in 0,56 mounting hole</p> 	<p>9137 9137-0-00-XX-00-00-38-0 Solder mount in 0,56 mounting hole</p> 	<p>7113 7113-0-00-XX-00-00-03-0 Solder mount in 0,56 mounting hole</p> 
<p>4965 4965-0-00-XX-00-00-33-0 Solder mount in 0,61 mounting hole</p> 	<p>4071 4071-0-00-XX-00-00-33-0 Solder mount in 0,61 mounting hole</p> 	<p>5137 5137-0-00-XX-00-00-38-0 Solder mount in 0,56 mounting hole</p> 	<p>4964 4964-0-00-XX-00-00-33-0 Solder mount in 0,61 mounting hole</p> 

SPECIFICATIONS:

Pin Material: Brass Alloy 360, 1/2 Hard
(Except where noted)

Dimensions: Millimeters

Tolerances On: Lengths: $\pm 0,13$
Diameters: $\pm 0,051$
Angles: $\pm 2^\circ$



ORDER CODE: XXXX - X - 00 - XX - 00 - 00 - XX - 0

BASIC PART #

SPECIFY PIN FINISH:

- 01 5,08 μ m TIN/LEAD OVER NICKEL
- ◆ 80 5,08 μ m TIN OVER NICKEL (RoHS)
- ◆ 15 0,25 μ m GOLD OVER NICKEL (RoHS)
- ◆ 21 0,51 μ m GOLD OVER NICKEL (RoHS)
- ◆ 34 1,27 μ m GOLD OVER NICKEL (RoHS)

