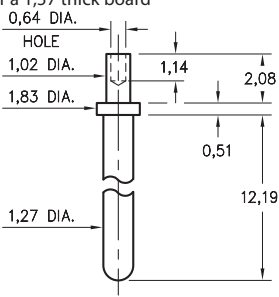
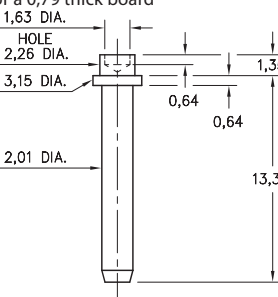
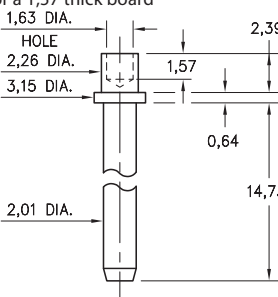
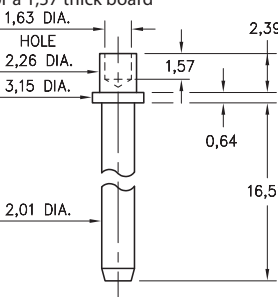
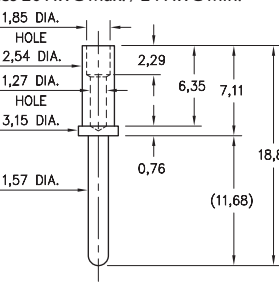
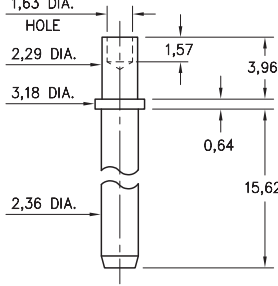


# MALE PCB PINS

## PRINTED CIRCUIT PINS

<p><b>4123</b>  <b>4123-0-00-XX-00-00-08-0</b>                      Swage mount in 1,12 hole                      For a 1,57 thick board</p> 	<p><b>2231</b>  <b>2231-0-00-XX-00-00-08-0</b>                      Swage mount in 2,36 hole                      For a 0,79 thick board</p> 	<p><b>4395</b>  <b>4395-0-00-XX-00-00-08-0</b>                      Swage mount in 2,36 hole                      For a 1,57 thick board</p> 	<p><b>5233</b>  <b>5233-0-00-XX-00-00-08-0</b>                      Swage mount in 2,36 hole                      For a 1,57 thick board</p> 
<p><b>6788</b>  <b>6788-0-00-XX-00-00-03-0</b>                      Annealed                      Wire crimp termination. Accepts wire sizes 20 AWG Max. / 24 AWG Min.</p> 	<p><b>6331</b>  <b>6331-0-00-XX-00-00-08-0</b>                      Swage mount in 2,39 hole                      For a 3,18 thick board</p> 		

### SPECIFICATIONS:

**Pin Material:** Brass Alloy 360, 1/2 Hard  
 ( Except swage pins which are annealed )

**Dimensions: Millimeters**

**Tolerances On:** Lengths:  $\pm 0,13$   
 Diameters:  $\pm 0,051$   
 Angles:  $\pm 2^\circ$



**ORDER CODE:** XXXX - 0 - 0X - XX - 00 - 00 - XX - 0

**BASIC PART #** →

**SPECIFY PIN FINISH:**

- 01 5,08μm TIN/LEAD OVER NICKEL
- ◆ 80 5,08μm TIN OVER NICKEL (RoHS)
- ◆ 15 0,25μm GOLD OVER NICKEL (RoHS)
- ◆ 21 0,51μm GOLD OVER NICKEL (RoHS)
- ◆ 34 1,27μm GOLD OVER NICKEL (RoHS)