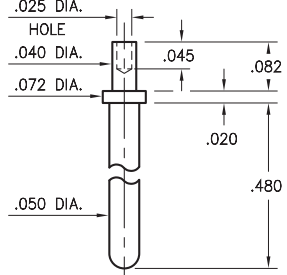
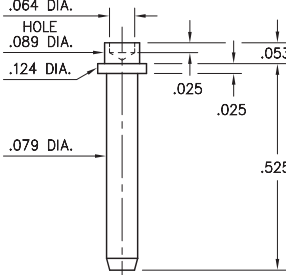
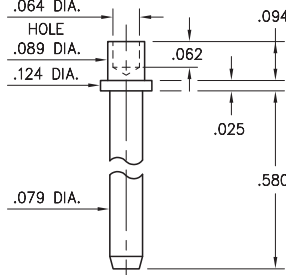
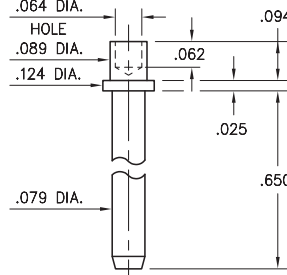
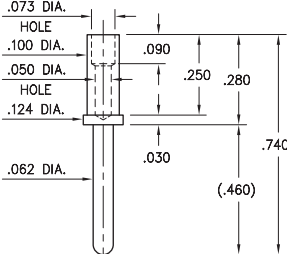
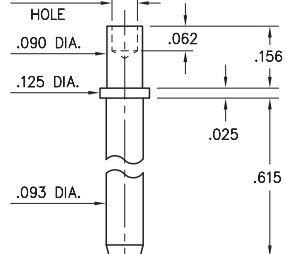


MALE PCB PINS

PRINTED CIRCUIT PINS

<p>4123 4123-0-00-XX-00-00-08-0 Swage mount in .044 hole For a .062 thick board</p> 	<p>2231 2231-0-00-XX-00-00-08-0 Swage mount in .093 hole For a .031 thick board</p> 	<p>4395 4395-0-00-XX-00-00-08-0 Swage mount in .093 hole For a .062 thick board</p> 	<p>5233 5233-0-00-XX-00-00-08-0 Swage mount in .093 hole For a .062 thick board</p> 
<p>6788 6788-0-00-XX-00-00-03-0 Annealed Wire crimp termination. Accepts wire sizes 20 AWG Max. / 24 AWG Min.</p> 	<p>6331 6331-0-00-XX-00-00-08-0 Swage mount in .094 hole For a .125 thick board</p> 		

SPECIFICATIONS:

Pin Material: Brass Alloy 360, 1/2 Hard
 (Except swage pins which are annealed)

Dimensions: Inches

Tolerances On: Lengths: $\pm .005$
 Diameters: $\pm .002$
 Angles: $\pm 2^\circ$



ORDER CODE: XXXX - X - 0X - **XX** - 00 - 00 - XX - 0

BASIC PART # →

→ **SPECIFY PIN FINISH:**

- 01 200 μ " TIN/LEAD OVER NICKEL
- ◆ 80 200 μ " TIN OVER NICKEL (RoHS)
- ◆ 15 10 μ " GOLD OVER NICKEL (RoHS)
- ◆ 21 20 μ " GOLD OVER NICKEL (RoHS)
- ◆ 34 50 μ " GOLD OVER NICKEL (RoHS)